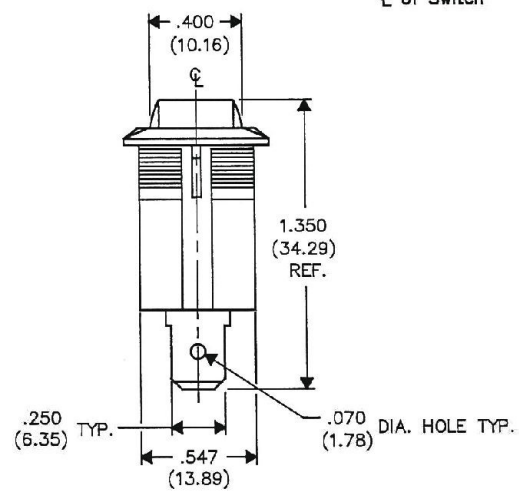
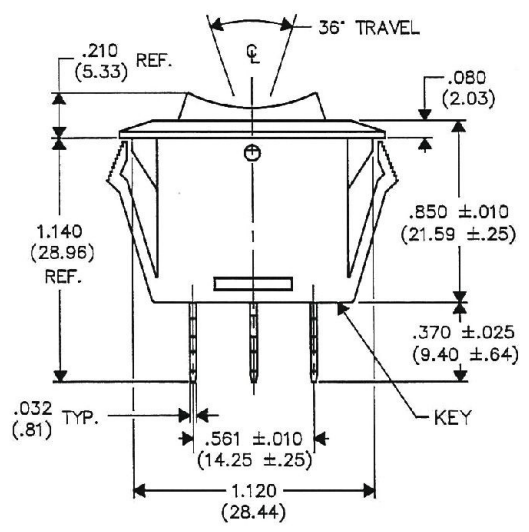
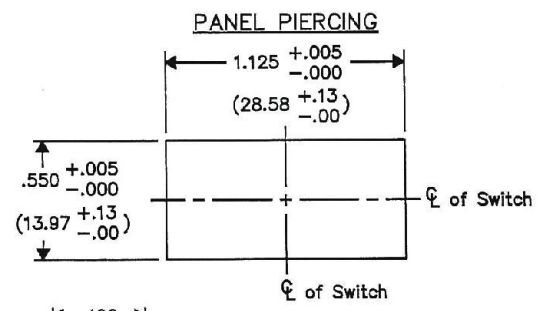
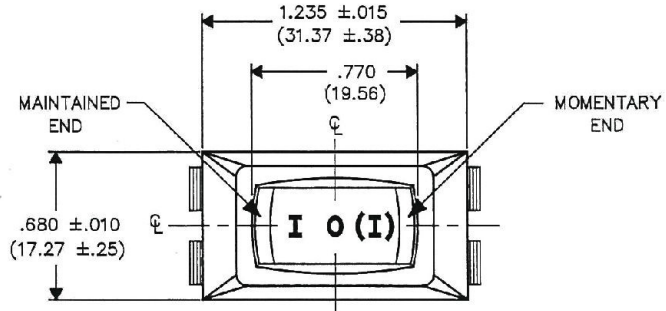


THIS INFORMATION IS CONFIDENTIAL AND PROPRIETARY TO CW INDUSTRIES, INCORPORATED AND ITS AFFILIATES. IT MAY NOT BE REPRODUCED OR TRANSMITTED IN ANY FORM OR BY ANY MEANS, ELECTRONIC OR MECHANICAL, INCLUDING PHOTOCOPYING, RECORDING, OR BY ANY INFORMATION STORAGE AND RETRIEVAL SYSTEM, WITHOUT WRITTEN PERMISSION FROM CW INDUSTRIES, INCORPORATED, SOUTHAMPTON, PENNSYLVANIA, USA.

DIMENSIONS IN INCHES (MILLIMETERS)
DO NOT SCALE DRAWING

Dwg. No.
GRS-2013B-0005



FORM-B4	REVISIONS
0	RELEASED. DGW 4-27-2000 MAY 01, 2000
1	REDRAWN. Added Maintained End & Momentary End to Top View of Drawing. DGW 4-15-19 G.G. 4/16/19



CW INDUSTRIES Southampton, Pa. 18966
TOLERANCES UNLESS OTHERWISE SPECIFIED
2 Place Decimal ±.010 METRIC
3 Place Decimal ±.005 1 Place Dec. ±.25mm
Angles ±1° 2 Place Dec. ±.13mm
Made for: CW IND.
Drawn by: DGW 4-27-2000
Checked by: G.Guld 4/16/19
Approval: C.Hansen 4/16/19

Title: ROCKER SWITCH CENTER OFF "POP IN" MOM./OFF/ON SINGLE POLE
Division: SWITCH
Dwg. No. GRS-2013B-0005

MASTER