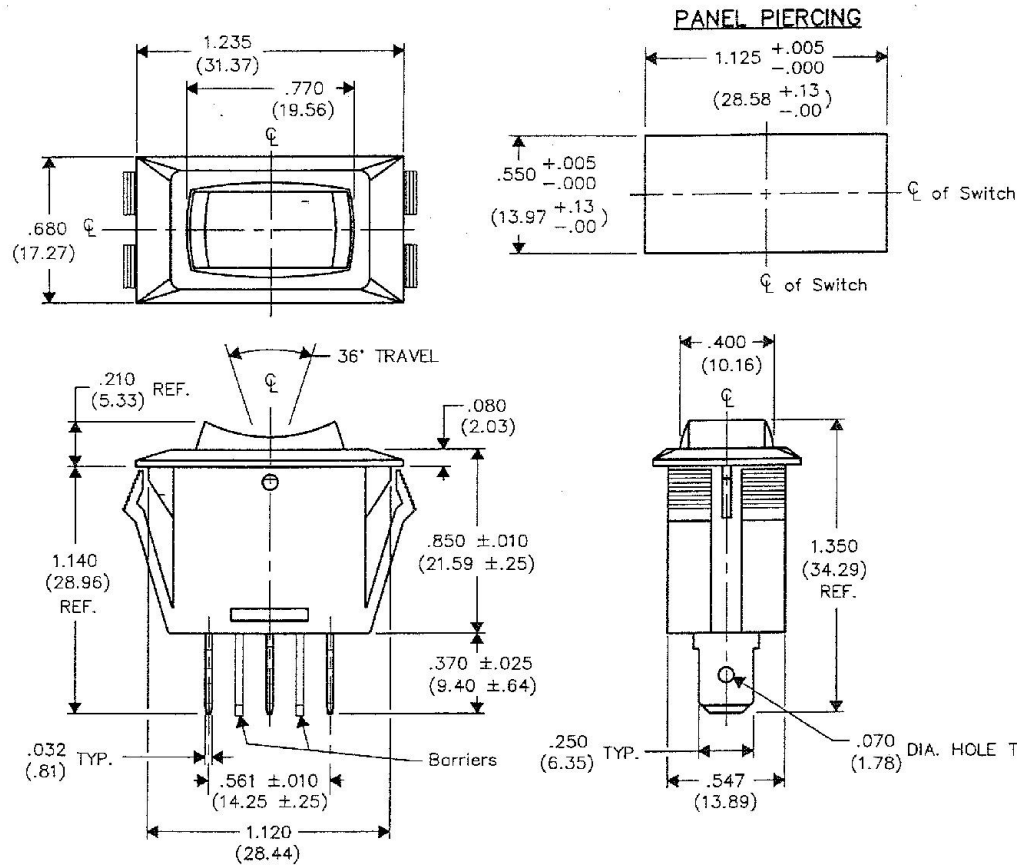


DIMENSIONS IN INCHES (MILLIMETERS)  
DO NOT SCALE DRAWING .....

Dwg. No.  
**GRS-2013B-0003**



13A. AC 125 VAC  
 10A. AC 250 VAC 5A. 14 VT  
 UL & CSA Listing

E  
D  
C  
B  
A

1 2 3 4 5 6 7 8 9 10

B-FORMAT 2002  
**REVISIONS**  
 0  
 RELEASED: 6-25-2009  
 DGW  
**JUN 25 2009**



<b>CW INDUSTRIES</b> Southampton, Pa. 18966	
TOLERANCES UNLESS OTHERWISE SPECIFIED	
2 Place Decimal ±.010	METRIC
3 Place Decimal ±.005	1 Place Dec. ±.25mm
Angles ..... ±1°	2 Place Dec. ±.13mm
Mode for: CW IND.	
Drawn by: DGW 6-25-2009	
Checked by: G.Guld 6-25-09	
Approval: G.Guld 6-25-09	

Title: **ROCKER SWITCH  
 CENTER OFF  
 (MOM.-OFF-ON)- S.P.  
 WITH BARRIERS**

Division: **SWITCH**

Dwg. No.  
**GRS-2013B-0003**

**MASTER**