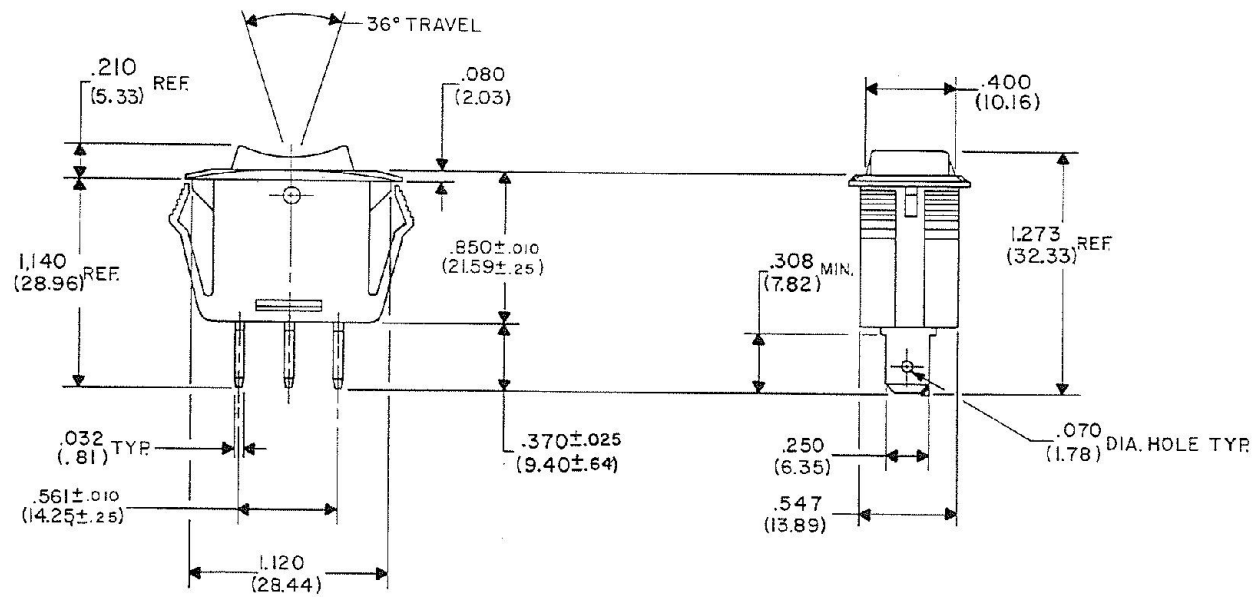
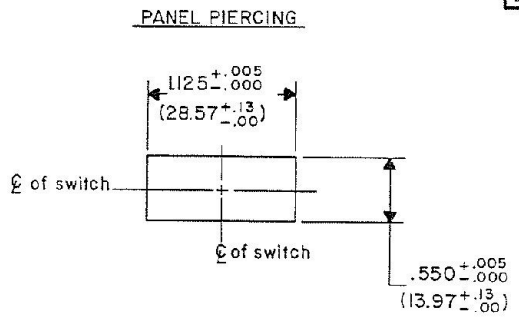
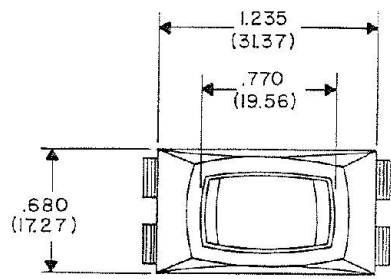


DIMENSIONS IN INCHES (MILLIMETERS)
DO NOT SCALE DRAWING

Dwg. No.
GRS-2013B-0000



FORM-B

REVISIONS	0
RELEASED	10-10-94
DGW	10-20-94
AW	10-20-94

ATTENTION
THIS DRAWING AND ITS ATTACHMENTS, IF ANY, ARE PROPRIETARY TO CW INDUSTRIES AND DESCRIBE DESIGNS THAT ARE CONFIDENTIAL AND MUST NOT BE DISCLOSED UNLESS AUTHORIZED, IN WRITING, BY AN OFFICER OF CW INDUSTRIES.....



CW INDUSTRIES Southampton, Pa. 18966	
TOLERANCES UNLESS OTHERWISE SPECIFIED	
2 Place decimal ±.010	METRIC
3 Place decimal ±.005	1 Place dec. ±.25mm
Angles ± 1°	2 Place dec. ±.13mm
Made for: CW IND.	
Drawn by: DGW 10-10-94	
Checked by: G. Guld 10-20-94	
Approval: A. HOSFIELD 10-20-94	

Title:	ROCKER SWITCH CENTER OFF "POP IN" (MOM. - OFF - ON) SINGLE POLE
Division:	SWITCH
Dwg. No.	GRS-2013B-0000