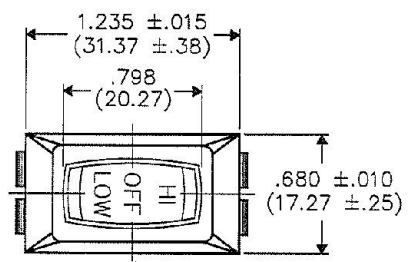


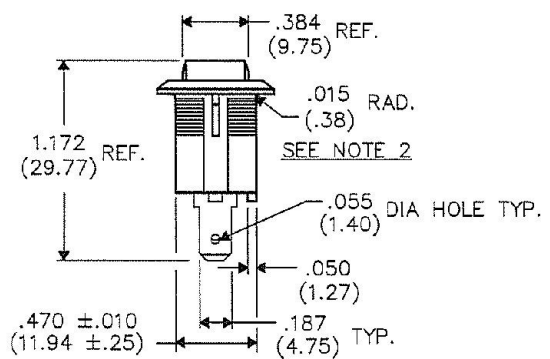
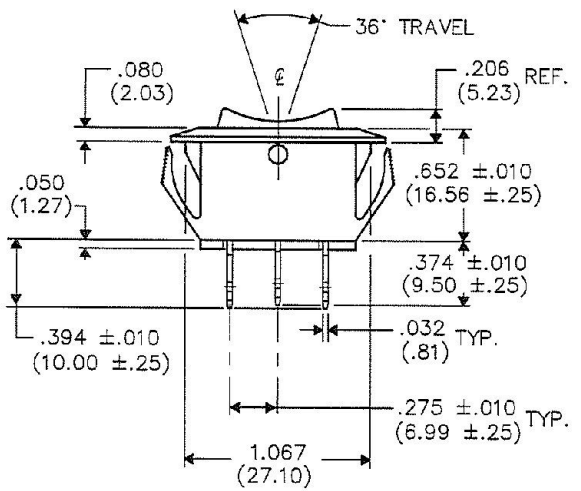
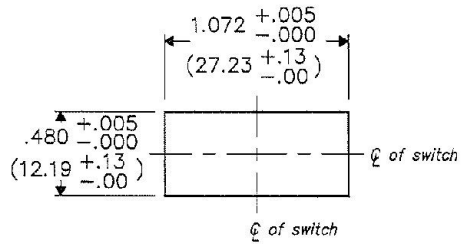
THIS INFORMATION IS CONFIDENTIAL AND PROPRIETARY TO CW INDUSTRIES INCORPORATED AND ITS AFFILIATES. IT MAY NOT BE DISCLOSED TO ANYONE OTHER THAN CW INDUSTRIES PERSONNEL, WITHOUT WRITTEN AUTHORIZATION FROM CW INDUSTRIES INCORPORATED, SOUTHAMPTON, PENNSYLVANIA USA.

DIMENSIONS IN INCHES (MILLIMETERS)
DO NOT SCALE DRAWING

Dwg. No. **GRS-2013A-3010**



PANEL PIERCING



NOTES:

- ROCKER SWITCH S.P.S.T.
16 AMP 125 V.A.C.
COLOR: BLACK
HOT STAMP COLOR: WHITE
- NO UNDERCUT PERMITTED IN THIS AREA.

MATERIALS:

HOUSING AND ROCKER
NYLON 6/6
TERMINAL AND MOVING CONTACT
COPPER ALLOY

UL & CSA LISTINGS

16A. 125V.A.C. 12A. 250V.A.C.
3/4 H.P. 125-250V.A.C.
10A. 14V(T)

REVISIONS

11	Revised & Redrawn. Removed Hot Stamp Detail, Note 3, 4 & 11/07 Hot Stamp. Added new HI/OFF/LOW & re-numbered notes. DWG. 3/17/20 <i>C. H. H.</i>
----	--



CW INDUSTRIES Southampton, Pa. 18966	
TOLERANCES UNLESS OTHERWISE SPECIFIED	
2 Place decimal ±.010	METRIC
3 Place decimal ±.005	1 Place dec. ±.25mm
Angles ± 1°	2 Place dec. ±.13mm
Made for: CW IND.	
Drawn by: DGW 8-03-95	
Checked by: <i>G. GULD 3-17-20</i>	
Approval: <i>C. H. H. 3/17/20</i>	

Title: ASSEMBLY DRAWING CENTER OFF	
S.P.D.T. ROCKER SWITCH NON - POLARIZED 1.072" x .480" PANEL	
Division:	SWITCH
Dwg. No.	GRS-2013A-3010