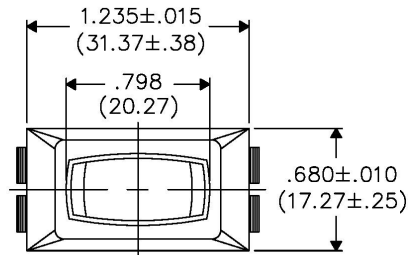


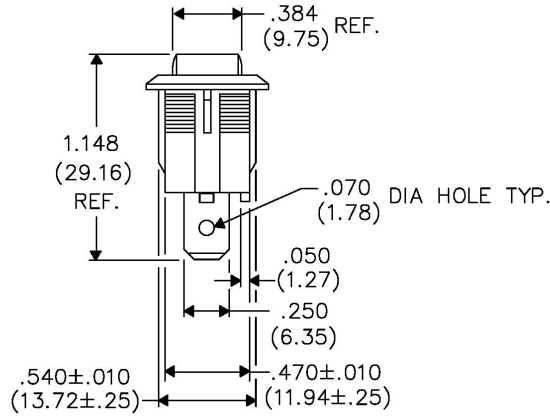
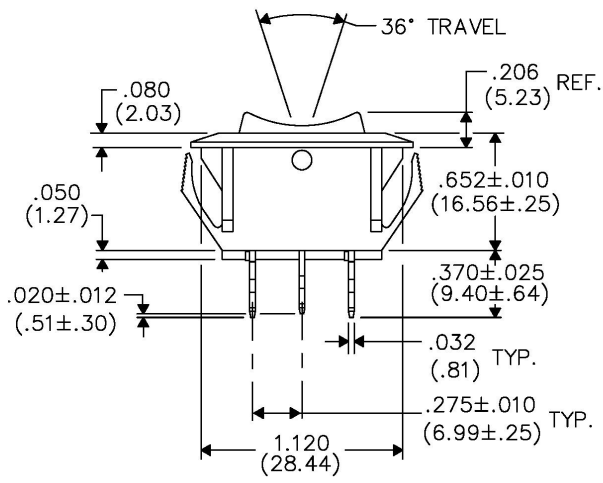
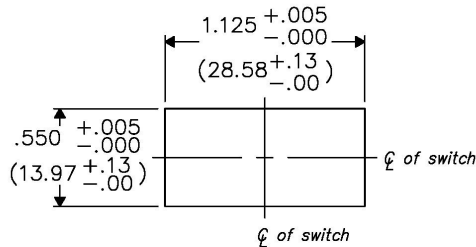
DIMENSIONS IN INCHES (MILLIMETERS)
DO NOT SCALE DRAWING

Dwg. No.
GRS-2013A-2600

E
D
C
B
A



PANEL PIERCING



1 2 3 4 5 6 7 8 9 10

FORM-B4
REVISIONS
0
RELEASED.
DGW 3-28-2002
4-02-02

ATTENTION
THIS DRAWING AND ITS ATTACHMENTS, IF ANY, ARE PROPRIETARY TO CW INDUSTRIES AND DESCRIBE DESIGNS THAT ARE CONFIDENTIAL AND MUST NOT BE DISCLOSED UNLESS AUTHORIZED, IN WRITING, BY AN OFFICER OF CW INDUSTRIES.....



CW INDUSTRIES
Southampton, Pa. 18966
TOLERANCES UNLESS OTHERWISE SPECIFIED
2 Place Decimal ±.010 METRIC
3 Place Decimal ±.005 1 Place Dec. ±.25mm
Angles ±1° 2 Place Dec. ±.13mm
Made for: CW IND.
Drawn by: DGW 3-28-2002
Checked by: GG 4-01-02
Approval: BF 4-01-02

Title: ASSEMBLY DRAWING
CENTER OFF
S.P.D.T. ROCKER SWITCH
NON-POLARIZED
1.125" x .550" PANEL
Division: SWITCH
Dwg. No.
GRS-2013A-2600