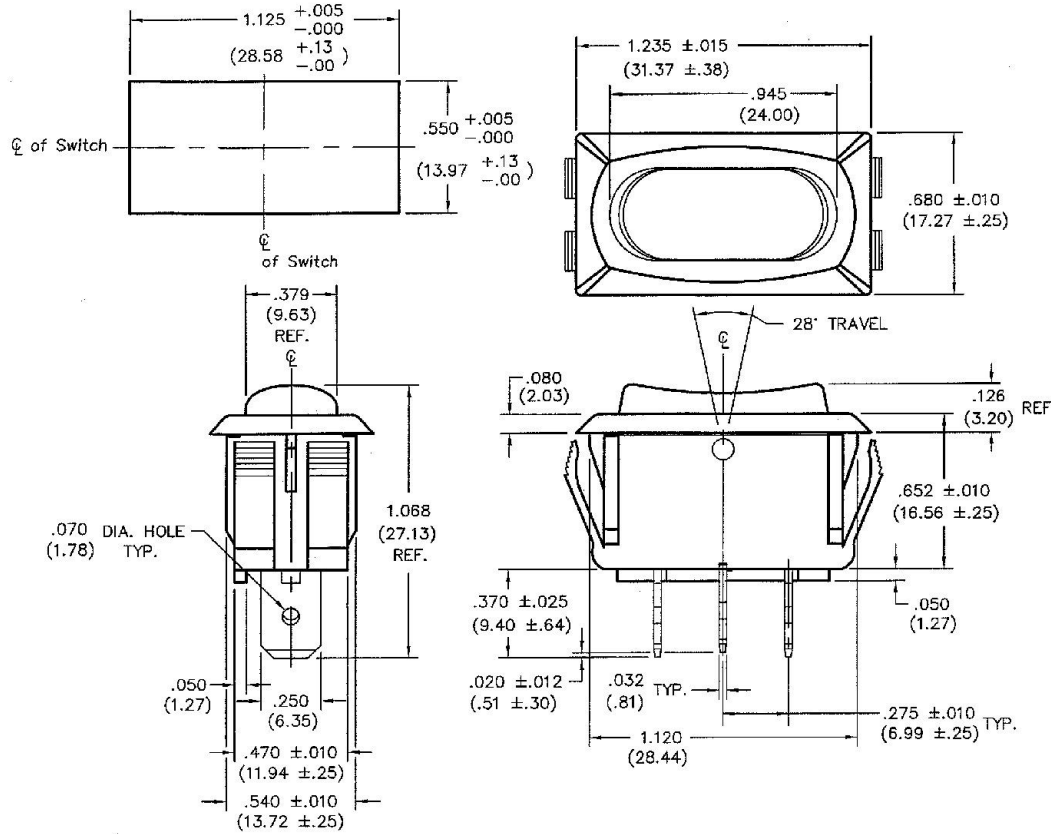


PANEL PIERCING



P/N	MATERIAL COLOR
GRS-2013A	
-2500	Button- Black BK-000 Housing- Black BK-000
-2501	Button- White WT-913 Housing- White WT-913

B-FORMAT 2002

REVISIONS

0
RELEASED: 8-13-2008
DWG AUG 15 2008

ATTENTION
THIS DRAWING AND ITS ATTACHMENTS, IF ANY, ARE PROPRIETARY TO CW INDUSTRIES AND DESCRIBE DESIGNS THAT ARE CONFIDENTIAL AND MUST NOT BE DISCLOSED UNLESS AUTHORIZED, IN WRITING, BY AN OFFICER OF CW INDUSTRIES.....



CW INDUSTRIES
Southampton, Pa. 18966

TOLERANCES UNLESS OTHERWISE SPECIFIED	
2 Place Decimal ±.010	METRIC
3 Place Decimal ±.005	1 Place Dec. ±.25mm
Angles ±1'	2 Place Dec. ±.13mm

Made for: CW IND.
Drawn by: DGW 8-13-2008
Checked by: G. Guld 8-15-08
Approval: G. Guld 8-15-08

Title: **ROCKER SWITCH ASSY.-CENTER OFF STYLE LINE**
1.125" x .550" PANEL

Division: **SWITCH**
Dwg. No. **GRS-2013A-2500 & -2501**

MASTER