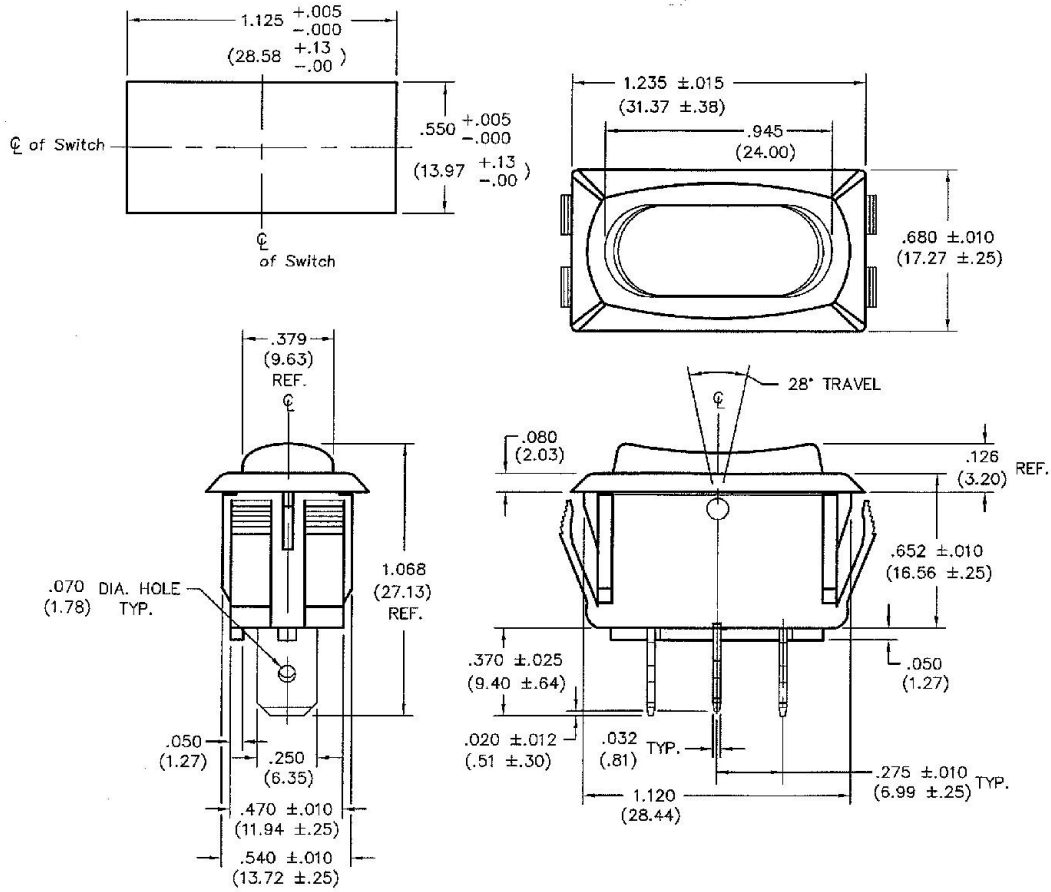


DIMENSIONS IN INCHES (MILLIMETERS)
DO NOT SCALE DRAWING

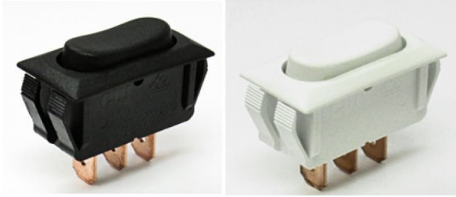
Dwg. No.
GRS-2013A-2400 & -2401

PANEL PIERCING



P/N	MATERIAL COLOR
GRS-2013A	
-2400	Button- Black BK-000 Housing- Black BK-000
-2401	Button- White WT-913 Housing- White WT-913

ATTENTION
THIS DRAWING AND ITS ATTACHMENTS, IF ANY, ARE PROPRIETARY TO CW INDUSTRIES AND DESCRIBE DESIGNS THAT ARE CONFIDENTIAL AND MUST NOT BE DISCLOSED UNLESS AUTHORIZED, IN WRITING, BY AN OFFICER OF CW INDUSTRIES.....



CW INDUSTRIES
Southampton, Pa. 18966
TOLERANCES UNLESS OTHERWISE SPECIFIED
2 Place Decimal ±.010 METRIC
3 Place Decimal ±.005 1 Place Dec. ±.25mm
Angles ±1' 2 Place Dec. ±.13mm
Made for: CW IND.
Drawn by: DGW 3-30-2001
Checked by: G. Guld 8-15-08
Approval: G. Guld 8-15-08

Title: **ROCKER SWITCH ASSY.- CENTER OFF STYLE LINE**
1.125" x .550" PANEL
Division: **SWITCH**
Dwg. No. **GRS-2013A-2400 & -2401**

MASTER

FORM-B4
REVISIONS
0
1
RELEASED: 3-30-2001
DGW May 03, 2001
REDRAWN FOR CLARITY:
ADDED P/N CHART &
-2401 TO DWG. NO.
DGW 8-11-2008
GG AUG 15 2008