

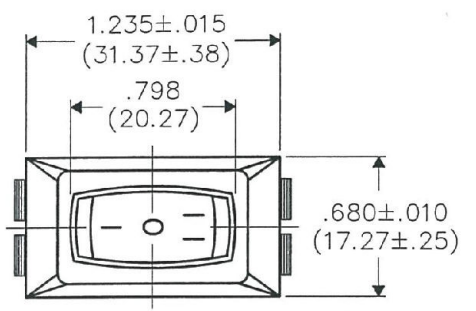
F  
 D  
 C  
 B  
 A

B-FORMAT 2002  
 REVISIONS  
 0  
 RELEASED  
 DCW 9-26-13  
 SEP 30 2013

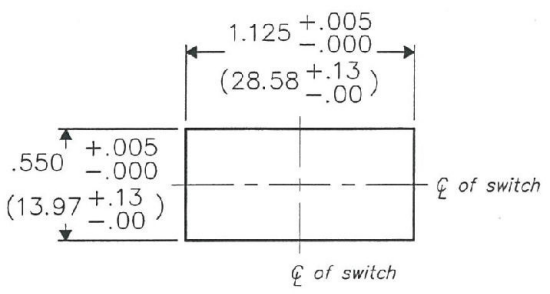
THIS INFORMATION IS CONFIDENTIAL AND PROPRIETARY TO CW INDUSTRIES INCORPORATED AND ITS AFFILIATES. IT MAY NOT BE DISCLOSED TO ANYONE, OTHER THAN CW INDUSTRIES PERSONNEL, WITHOUT WRITTEN AUTHORIZATION FROM CW INDUSTRIES INCORPORATED, SOUTHAMPTON, PENNSYLVANIA, USA.

DIMENSIONS IN INCHES (MILLIMETERS)  
DO NOT SCALE DRAWING .....

Dwg. No.  
**GRS-2013A-2025**



**PANEL PIERCING**

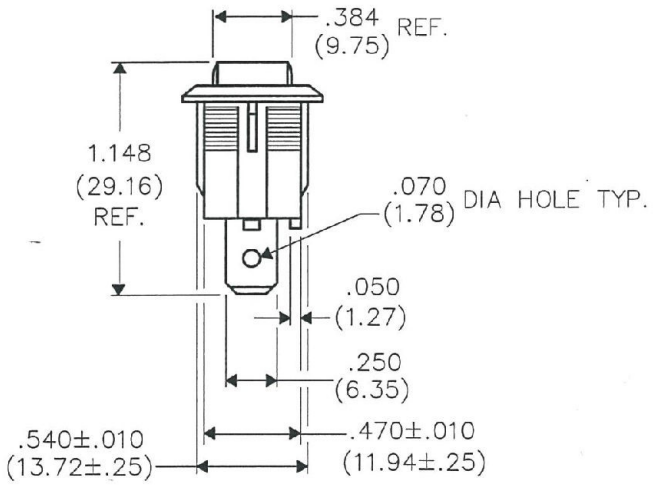
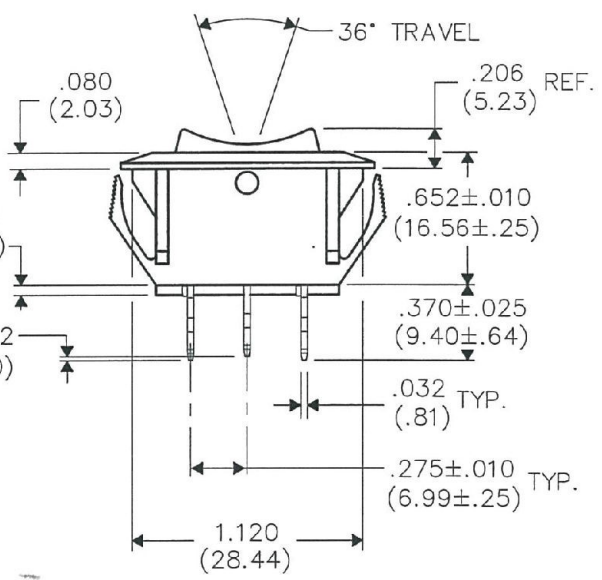


ACTUATOR COLOR - Black  
 HOUSING COLOR - Black  
 ACTUATOR PRINTING COLOR - White

**ELECTRICAL RATINGS:**

- 16A. 125V
- 12A. 250VAC
- 10A. 14V. (T)
- 3/4 H.P. 125-250 VAC

UL/CSA



1      2      3      4      5      6      7      8      9      10



**CW INDUSTRIES**  
Southampton, Pa. 18966

TOLERANCES UNLESS OTHERWISE SPECIFIED  
 2 Place Decimal ±.010 METRIC  
 3 Place Decimal ±.005 1 Place Dec. ±.25mm  
 Angles ..... ±1° 2 Place Dec. ±.13mm

Title: **ASSEMBLY DRAWING**  
**CENTER OFF**  
 S.P.D.T. ROCKER SWITCH  
 NON-POLARIZED  
 1.125" x .550" PANEL

Made for: CW IND.

Division: **SWITCH**

Drawn by: DGW 9-26-13

Dwg. No.

Checked by: *G. Gold 9-30-13*

**GRS-2013A-2025**

Approval: *[Signature]*

**MASTER**