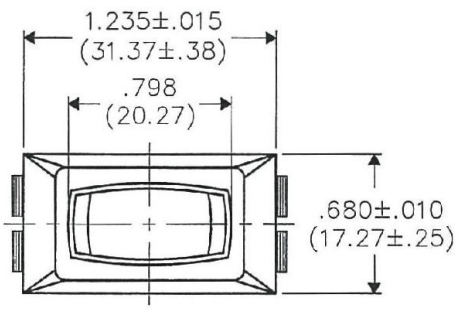
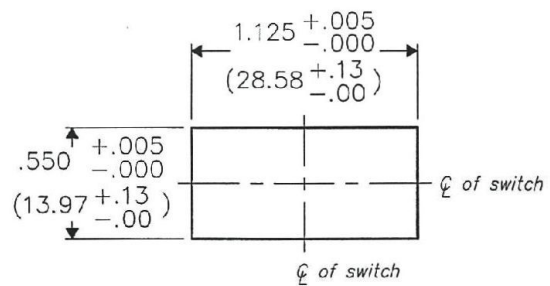


THIS INFORMATION IS CONFIDENTIAL AND PROPRIETARY TO CW INDUSTRIES INCORPORATED AND ITS AFFILIATES. IT MAY NOT BE DISCLOSED TO ANYONE OTHER THAN CW INDUSTRIES PERSONNEL, WITHOUT WRITTEN AUTHORIZATION FROM CW INDUSTRIES INCORPORATED, SOUTHAMPTON, PENNSYLVANIA USA.

DIMENSIONS IN INCHES (MILLIMETERS)
 DO NOT SCALE DRAWING
 Dwg. No. **GRS-2013A-2017**



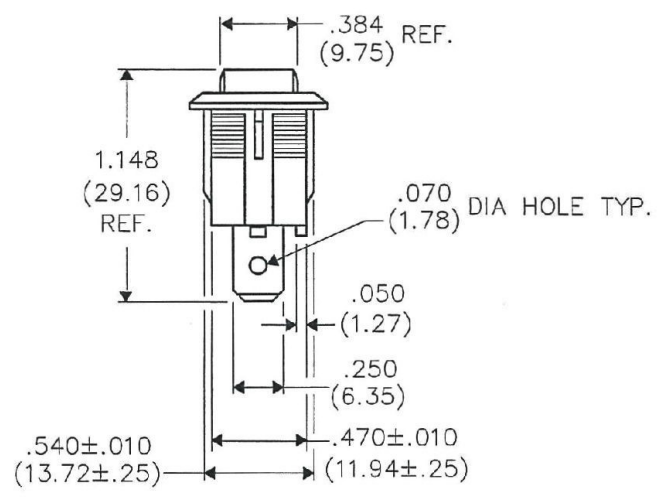
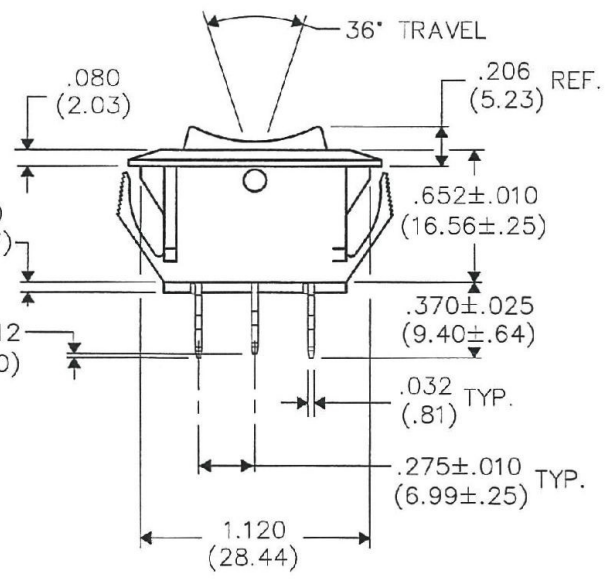
PANEL PIERCING



SWITCH COLOR - White

SWITCH RATINGS:

- UL & CSA
- 16A. 125VAC 12A. 250VAC
- 3/4 H.P. 125-250 VAC
- 10A. 14V (T)



1 2 3 4 5 6 7 8 9 10

B-FORMAT 2002
REVISIONS
 RELEASED: D&W 7-01-13
 JUL 19 2008



CW INDUSTRIES
 Southampton, Pa. 18966
TOLERANCES UNLESS OTHERWISE SPECIFIED
 2 Place Decimal ±.010 METRIC
 3 Place Decimal ±.005 1 Place Dec. ±.25mm
 Angles ±1' 2 Place Dec. ±.13mm
 Made for: CW IND.
 Drawn by: DGW 7-01-13
 Checked by: G. Gold 7-2-13
 Approval: G. Gold 7-2-13

Title: **ASSEMBLY DRAWING**
CENTER OFF
 S.P.D.T. ROCKER SWITCH
 NON-POLARIZED
 1.125" x .550" PANEL
 Division: **SWITCH**
 Dwg. No. **GRS-2013A-2017**

MASTER