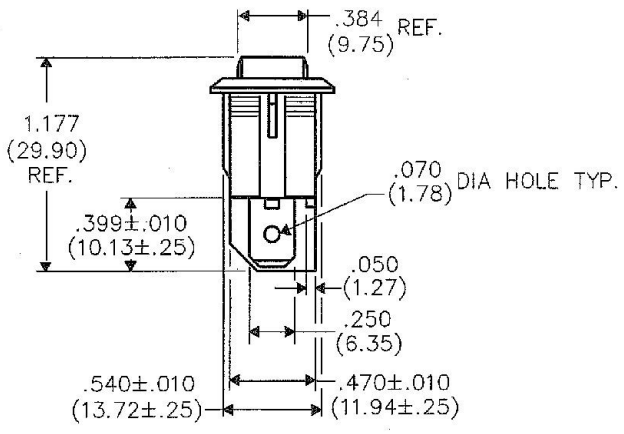
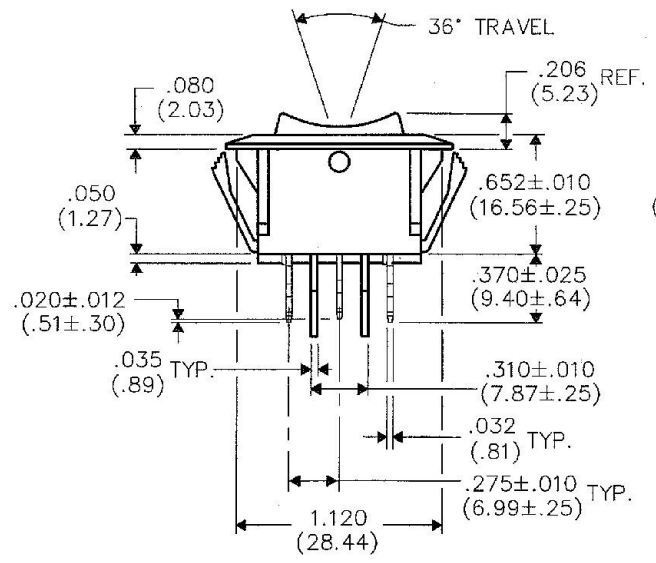
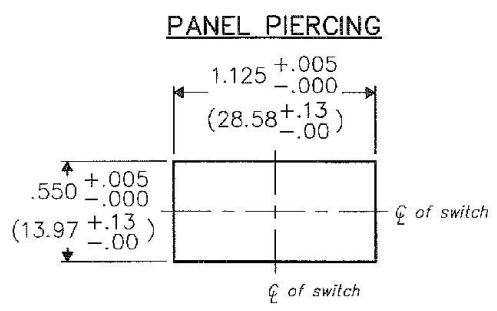
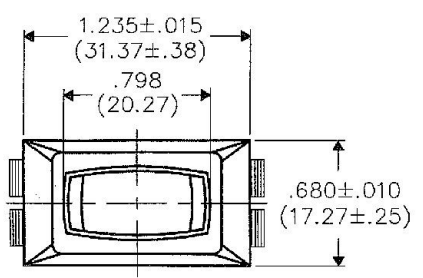


F  
D  
C  
B  
A

THIS INFORMATION IS CONFIDENTIAL AND PROPRIETARY TO CW INDUSTRIES INCORPORATED AND ITS AFFILIATES. IT MAY NOT BE DISCLOSED TO ANYONE, OTHER THAN CW INDUSTRIES PERSONNEL, WITHOUT WRITTEN AUTHORIZATION FROM CW INDUSTRIES INCORPORATED, SOUTHAMPTON, PENNSYLVANIA USA.

DIMENSIONS IN INCHES (MILLIMETERS)  
DO NOT SCALE DRAWING

Dwg. No.  
**GRS-2013A-2004**



1 2 3 4 5 6 7 8 9 10

B-FORMAT 2002

**REVISIONS**

1	REVISED & REDRAWN SHOWING NEW CLAW STYLE. DGW 7-13-2011 <i>cdw/1309/13 2M</i>
---	---

**CW INDUSTRIES**  
Southampton, Pa. 18966

TOLERANCES UNLESS OTHERWISE SPECIFIED

2 Place Decimal ±.010	METRIC
3 Place Decimal ±.005	1 Place Dec. ±.25mm
Angles ..... ±1°	2 Place Dec. ±.13mm

Made for: CW IND.  
Drawn by: DGW 7-13-2011  
Checked by: *G. Guld 7-13-11*  
Approval: *C. Hanson 7/13/11*

Title: **ASSEMBLY DRAWING (CENTER OFF) S.P.S.T. ROCKER SWITCH W/BARRIERS 1.125 x .550" PANEL SWITCH**

Division: SWITCH  
Dwg. No. **GRS-2013A-2004**

**MASTER MASTER**