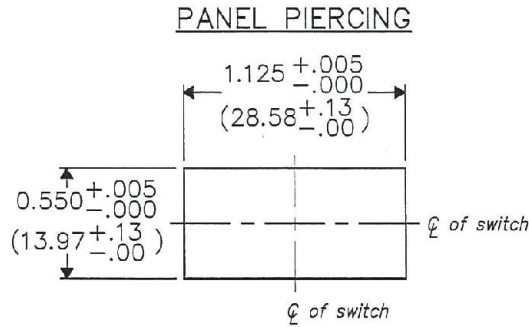
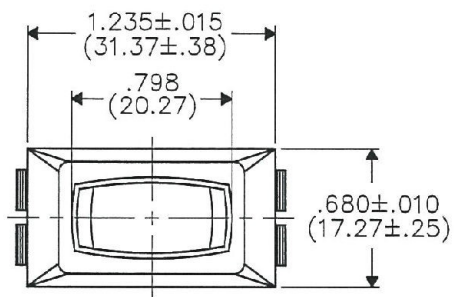


F
D
C
B
A

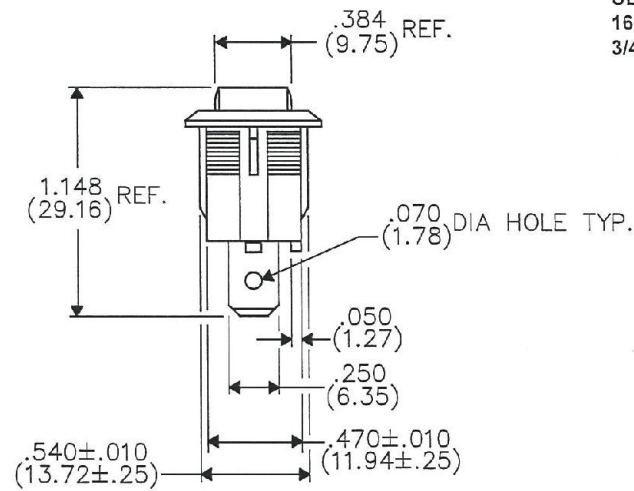
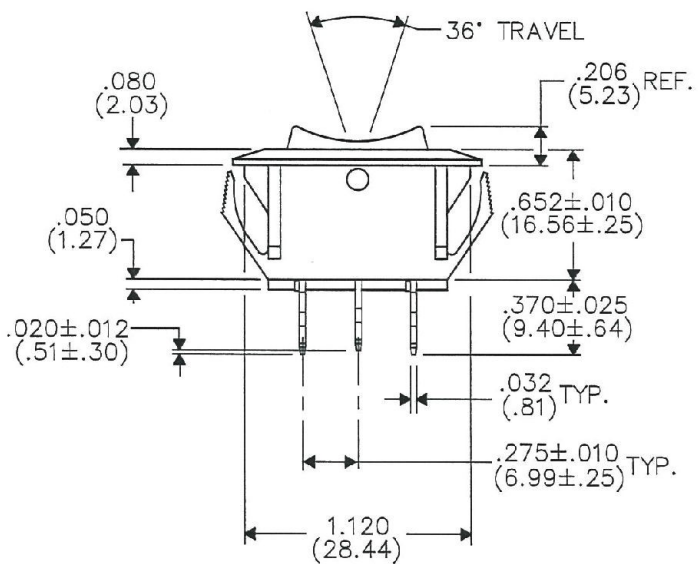
DIMENSIONS IN INCHES (MILLIMETERS)
DO NOT SCALE DRAWING

Dwg. No.
GRS-2013A-2000



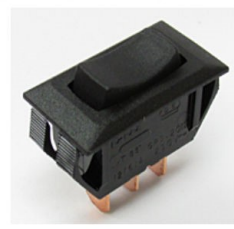
MATERIAL:
 Button & Housing: Nylon 6/6, Color - Black
 Moving & Stationary Contacts:
 Copper alloy - Micro Finish

Ratings:
 UL, CSA Listed,
 16A 125 VAC 10A 250 VAC
 3/4 H.P. 125 - 250 VAC 10A 14V(T)



1 2 3 4 5 6 7 8 9 10

B-FORMAT 2002
REVISIONS
 Redrawn. Added material's and ratings. Updated drawing.
 DGW 5/22/19 MAY 2 2 2019
DGW



cw INDUSTRIES Southampton, Pa. 18966		Title: ROCKER ASSEMBLY CENTER OFF	
TOLERANCES UNLESS OTHERWISE SPECIFIED		S.P.D.T. NON-POLARIZED 1.125" x .550" PANEL	
2 Place Decimal ±.010	METRIC	Division: SWITCH	
3 Place Decimal ±.005	1 Place Dec. ±.25mm	Dwg. No. GRS-2013A-2000	
Angles ±1°	2 Place Dec. ±.13mm	Approval: <i>Hem 5/22/19</i>	
Made for: CW IND.	Division: SWITCH		
Drawn by: DGW 5/22/19	Dwg. No. GRS-2013A-2000		
Checked by: <i>G. GULD 5-22-19</i>	Approval: <i>Hem 5/22/19</i>		

MASTER