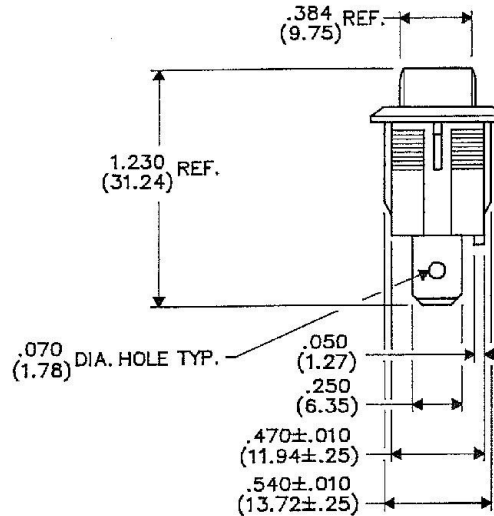
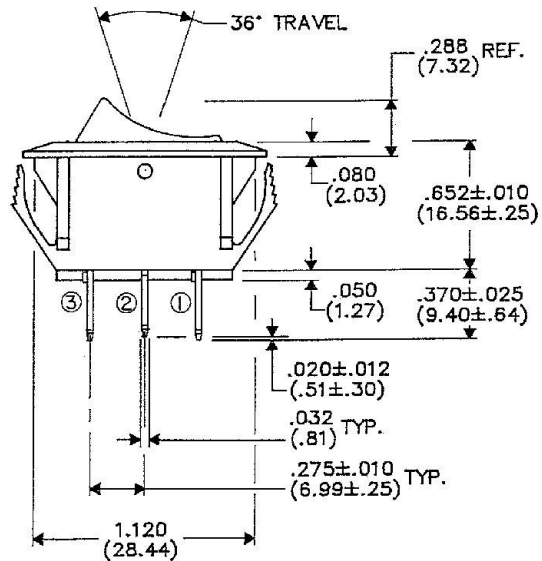
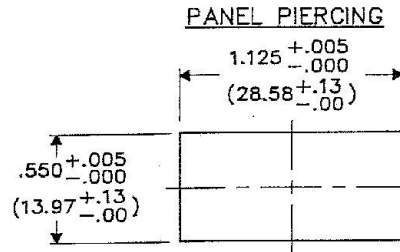
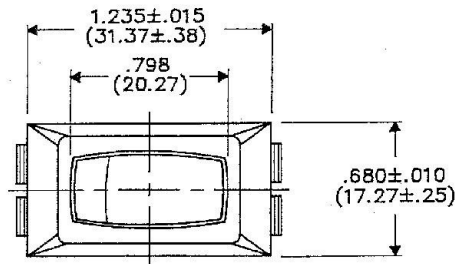


DIMENSIONS IN INCHES (MILLIMETERS)
DO NOT SCALE DRAWING...

Drawing No. **GRS-2012A-2000**



B-FORM-0

REVISIONS

0
RELEASED
MAM 4-11-90
SEP 21 1990

ATTENTION
THIS DRAWING AND ITS ATTACHMENTS, IF ANY, ARE PROPRIETARY TO CW INDUSTRIES AND DESCRIBE DESIGNS THAT ARE CONFIDENTIAL AND MUST NOT BE DISCLOSED UNLESS AUTHORIZED, IN WRITING, BY AN OFFICER OF CW INDUSTRIES.....



PDF File Made

CW INDUSTRIES
Southampton, Pa. 18966

TOLERANCES UNLESS OTHERWISE SPECIFIED
2 Place decimal ±.010 METRIC
3 Place decimal ±.005 1 Place dec. ±.25 MM
Angles ±1° 2 Place dec. ±.13 MM

Made for: CW Ind.
Drawn by: MAM 4-18-90
Checked by: *LS* 5-2-90
Approval: *LS* 5-2-90

Title **ASSEMBLY DRAWING**
S.P.D.T. ROCKER SWITCH
MOMENTARY
NON-POLARIZED
1.125" x .550" PANEL

Division **SWITCH**

Drawing No. **GRS-2012A-2000**