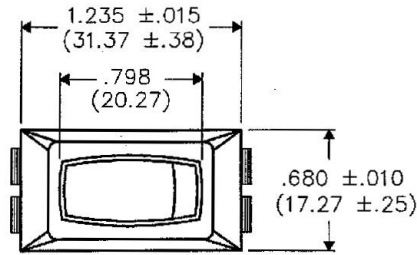
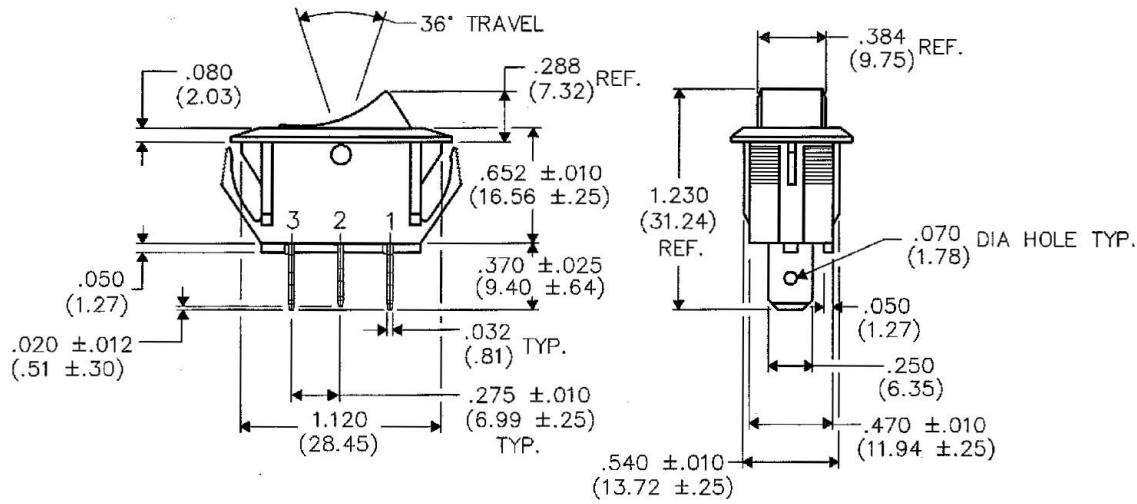
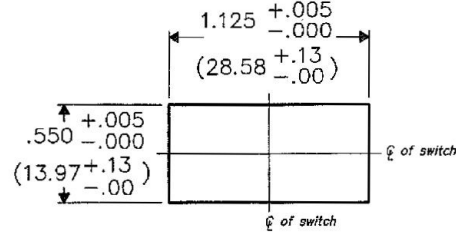



DIMENSIONS IN INCHES (MILLIMETERS)  
DO NOT SCALE DRAWING .....

Dwg. No.  
**GRS-2012-2600**



**PANEL PIERCING**



1	2	3	4	5	6	7	8	9	10							
<p style="writing-mode: vertical-rl; transform: rotate(180deg);">B-FORMAT 2002</p> <p style="writing-mode: vertical-rl; transform: rotate(180deg);"><b>REVISIONS</b></p> <table border="1" style="width:100%; border-collapse: collapse;"> <tr> <td style="width:50%; text-align: center;">0</td> <td style="width:50%; text-align: center;"> <p>RELEASED: DGW 8-14-2008</p> <p style="font-size: small;">AUG 15 2008</p> </td> </tr> </table>	0	<p>RELEASED: DGW 8-14-2008</p> <p style="font-size: small;">AUG 15 2008</p>							<p style="font-weight: bold; font-size: large;">CW INDUSTRIES</p> <p style="font-size: small;">Southampton, Pa. 18966</p> <p style="font-size: x-small;">TOLERANCES UNLESS OTHERWISE SPECIFIED</p> <table style="width:100%; font-size: x-small;"> <tr> <td>2 Place Decimal ±.010</td> <td>METRIC</td> </tr> <tr> <td>3 Place Decimal ±.005</td> <td>1 Place Dec. ±.25mm</td> </tr> <tr> <td>Angles ..... ±1°</td> <td>2 Place Dec. ±.13mm</td> </tr> </table> <p>Made for: CW IND.</p> <p>Drawn by: DGW 8-14-2008</p> <p>Checked by: <i>G. Guld 8-15-08</i></p> <p>Approval: <i>G. Guld 8-15-08</i></p>	2 Place Decimal ±.010	METRIC	3 Place Decimal ±.005	1 Place Dec. ±.25mm	Angles ..... ±1°	2 Place Dec. ±.13mm	<p>Title: <b>ROCKER SWITCH S.P.D.T. NO POLAR.,NO BARR.</b></p> <p>Division: <b>SWITCH</b></p> <p>Dwg. No. <b>GRS-2012-2600</b></p>
0	<p>RELEASED: DGW 8-14-2008</p> <p style="font-size: small;">AUG 15 2008</p>															
2 Place Decimal ±.010	METRIC															
3 Place Decimal ±.005	1 Place Dec. ±.25mm															
Angles ..... ±1°	2 Place Dec. ±.13mm															