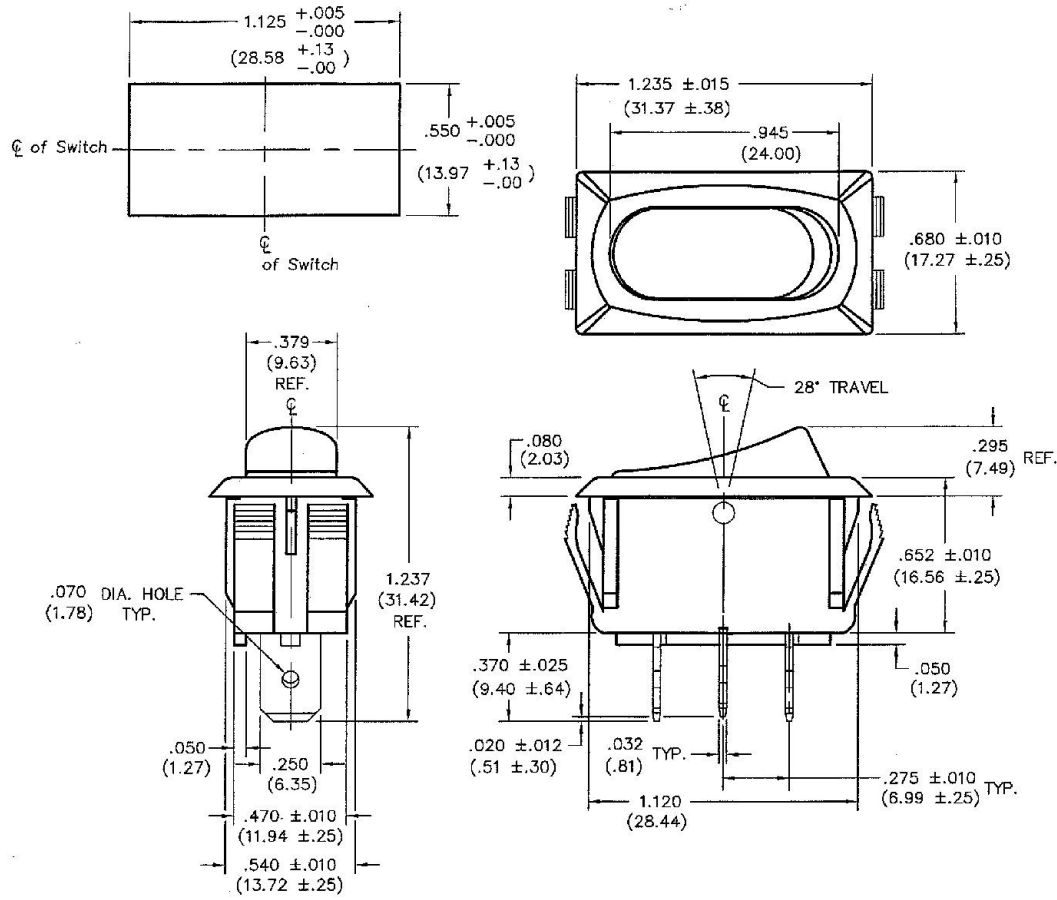


DIMENSIONS IN INCHES (MILLIMETERS)
DO NOT SCALE DRAWING

Dwg. No.
GRS-2012-2503 & -2504

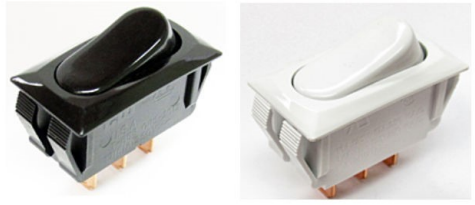
PANEL PIERCING



| P/N | MATERIAL COLOR |
|----------|---|
| GRS-2012 | |
| -2503 | Button- Black BK-000 Housing- Black BK-000 |
| -2504 | Button- White WT-913 Housing- White WT-913 |

FORM-B4
REVISIONS
RELEASED: 8-13-2008
DCW
AUG 13 2008

ATTENTION
THIS DRAWING AND ITS ATTACHMENTS, IF ANY, ARE PROPRIETARY TO CW INDUSTRIES AND DESCRIBE DESIGNS THAT ARE CONFIDENTIAL AND MUST NOT BE DISCLOSED UNLESS AUTHORIZED, IN WRITING, BY AN OFFICER OF CW INDUSTRIES.....



CW INDUSTRIES
Southampton, Pa. 18966
TOLERANCES UNLESS OTHERWISE SPECIFIED
2 Place Decimal ±.010 METRIC
3 Place Decimal ±.005 1 Place Dec. ±.25mm
Angles ±1° 2 Place Dec. ±.13mm
Made for: CW IND.
Drawn by: DGW 8-13-2008
Checked by: G. Guld 8-15-08
Approval: G. Guld 8-15-08

Title: **ROCKER SWITCH S.P.D.T. ASSEMBLY STYLE LINE**
1.125" x .550" PANEL
Division: **SWITCH**
Dwg. No. **GRS-2012-2503 & -2504**

MASTER