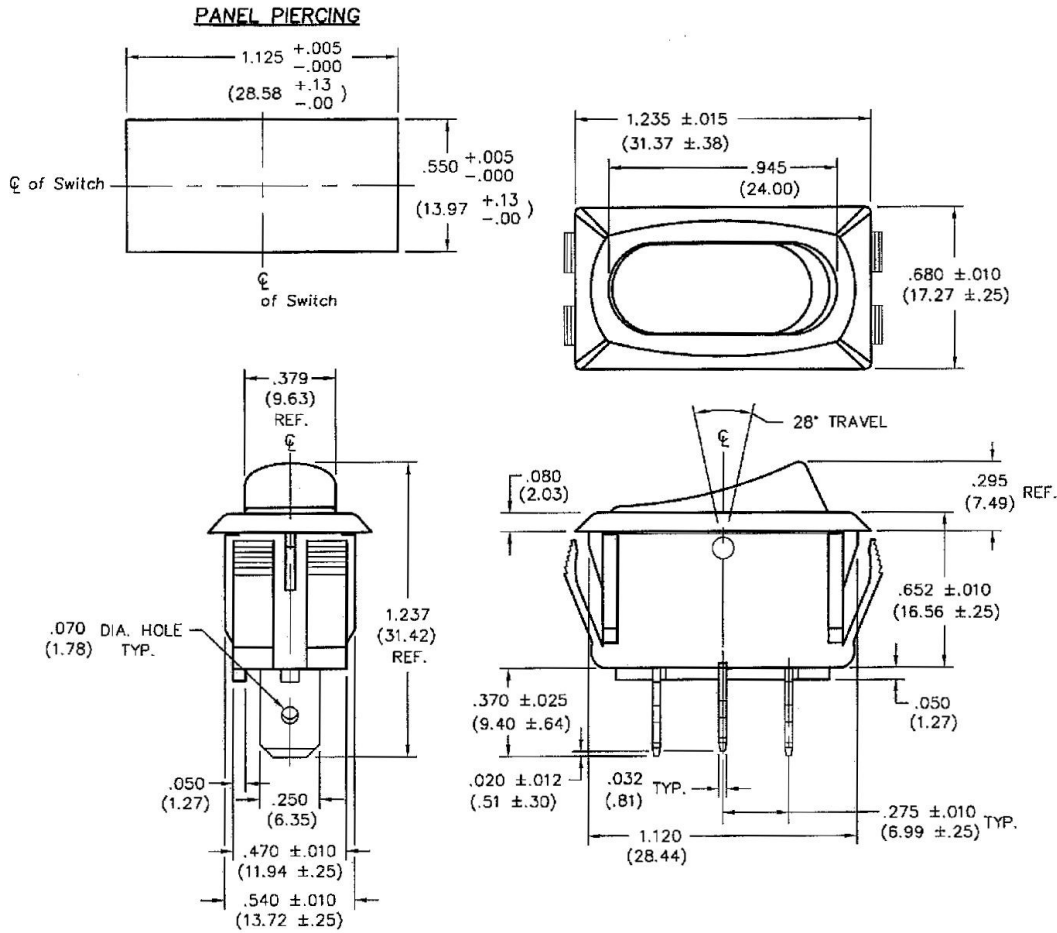


DIMENSIONS IN INCHES (MILLIMETERS)
DO NOT SCALE DRAWING

Dwg. No.
GRS-2012-2400 & -2401



P/N	MATERIAL COLOR
GRS-2012	
-2400	Button- Black BK-000 Housing- Black BK-000
-2401	Button- White WT-913 Housing- White WT-913

FORM-B4

REVISIONS

0	RELEASED DWG 3-30-2001 MAY 3 2001
1	ADDED P/N CHART & -2401 TO DWG. NO. DWG 8-13-2008 B.G. AUG 15 2008

ATTENTION
THIS DRAWING AND ITS ATTACHMENTS, IF ANY, ARE PROPRIETARY TO CW INDUSTRIES AND DESCRIBE DESIGNS THAT ARE CONFIDENTIAL AND MUST NOT BE DISCLOSED UNLESS AUTHORIZED, IN WRITING, BY AN OFFICER OF CW INDUSTRIES.....



(PDF File Made)

CW INDUSTRIES
Southampton, Pa. 18966

TOLERANCES UNLESS OTHERWISE SPECIFIED:
2 Place Decimal \pm .010 METRIC
3 Place Decimal \pm .005 1 Place Dec. \pm .25mm
Angles \pm 1' 2 Place Dec. \pm .13mm

Made for: CW IND.
Drawn by: DGW 3-30-2001
Checked by: G. Guld 4-2-01
Approval: B. Blum 4-5-01

Title: **ROCKER SWITCH
S.P.D.T. ASSEMBLY
STYLE LINE
1.125" x .550" PANEL**

Division: **SWITCH**

Dwg. No. **GRS-2012-2400 & -2401**

MASTER