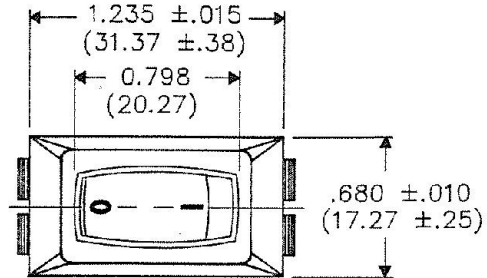
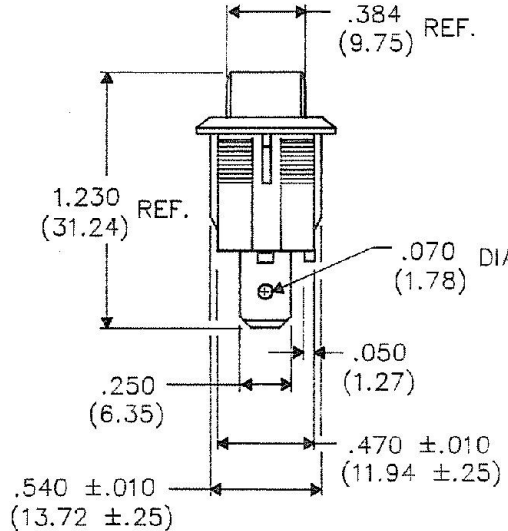
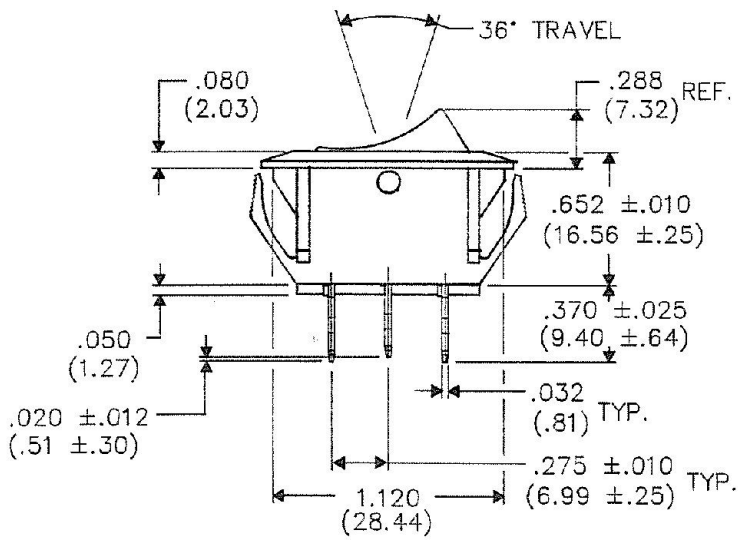
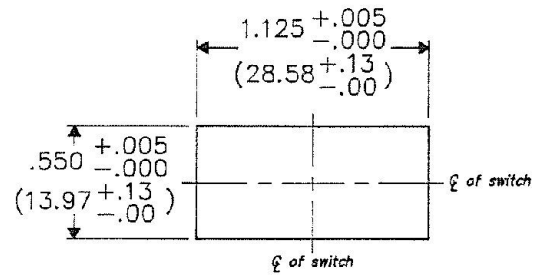


DIMENSIONS IN INCHES (MILLIMETERS)
DO NOT SCALE DRAWING...

Drawing No.
GRS-2012-2028



PANEL PIERCING



8 - FORM - 0

REVISIONS

1	LD	8-02-94	5	1994
2	DGW	8-3-94	4	



CW INDUSTRIES Southampton, Pa. 18966	Title ASSEMBLY DRAWING S.P.D.T. ROCKER SWITCH NON-POLARIZED 1.125 x .550 PANEL
	TOLERANCES UNLESS OTHERWISE SPECIFIED 2 Place decimal ±.010 METRIC 3 Place decimal ±.005 1 Place dec. ±.25 MM Angles ±1° 2 Place dec. ±.13 MM
Made for CW IND.	Division SWITCH
Drawn by DGW 8-02-94	Drawing No. GRS-2012-2028
Checked by G. GULD 8-3-94	
Approval [Signature] 8-4-94	