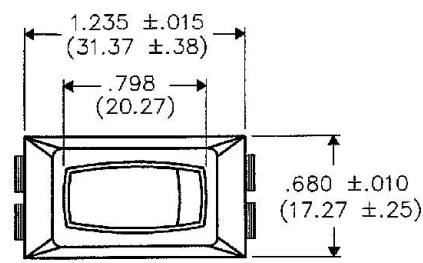


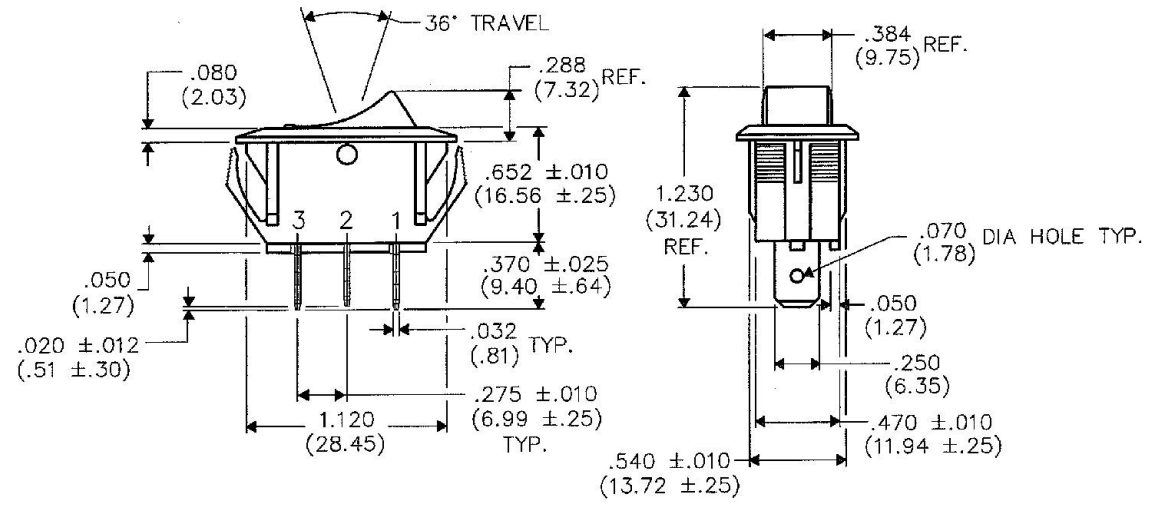
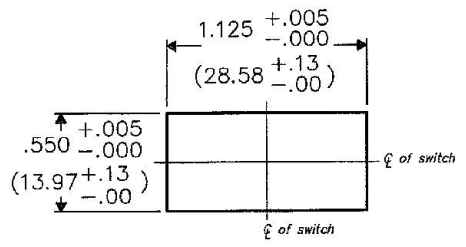
DIMENSIONS IN INCHES (MILLIMETERS)  
DO NOT SCALE DRAWING .....

Dwg. No.  
**GRS-2012-2009**

E  
D  
C  
B  
A



**PANEL PIERCING**



1 2 3 4 5 6 7 8 9 10

B-FORMAT: 2002  
**REVISIONS**  
0  
RELEASED: 8-14-2008  
DCW  
AUG 15 2008



**CW INDUSTRIES**  
Southampton, Pa. 18966

TOLERANCES UNLESS OTHERWISE SPECIFIED  
2 Place Deciml ±.010 METRIC  
3 Place Deciml ±.005 1 Place Dec. ±.25mm  
Angles ..... ±1° 2 Place Dec. ±.13mm

Made for: CW IND.  
Drawn by: DCW 8-14-2008  
Checked by: *G. Gold 8-15-08*  
Approval: *G. Gold 8-15-08*

Title: **ROCKER SWITCH S.P.D.T. NO POLAR.,NO BARR.**

Division: **SWITCH**  
Dwg. No. **GRS-2012-2009**

PDF FILE MADE