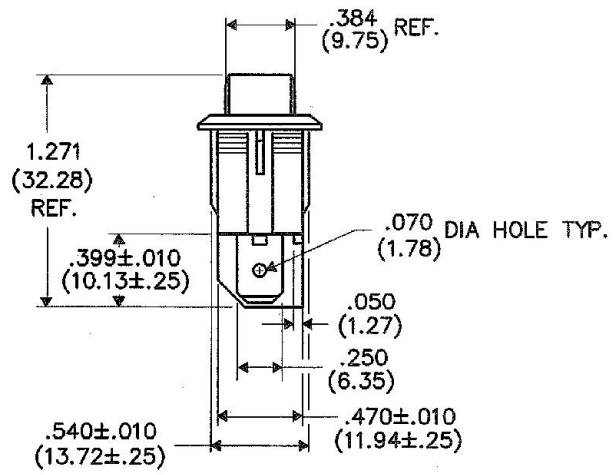
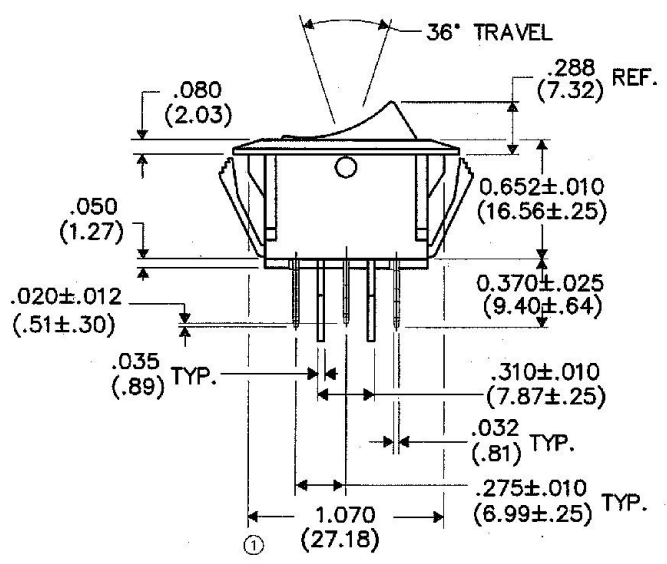
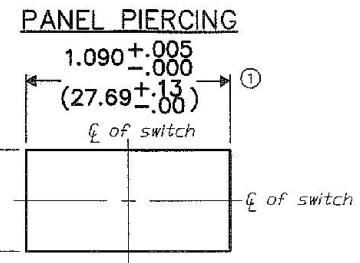
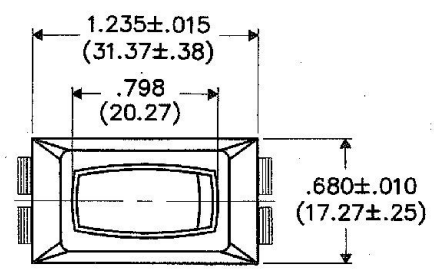


DIMENSIONS IN INCHES (MILLIMETERS)
DO NOT SCALE DRAWING

Dwg. No.
GRS-2012-2004

THIS INFORMATION IS CONFIDENTIAL AND PROPRIETARY TO CV INDUSTRIES INCORPORATED AND ITS AFFILIATES. IT MAY NOT BE DISCLOSED TO ANYONE, OTHER THAN CV INDUSTRIES PERSONNEL, WITHOUT WRITTEN AUTHORIZATION FROM CV INDUSTRIES INCORPORATED, SOUTHAMPTON, PENNSYLVANIA 18966.



B-FORMAT 2002 REVISIONS 1 REVISED & REDRAWN SHOWING NEW CLAW STYLE & 1.070 WAS 1.120 IN FRONT VIEW & 1.090 WAS 1.125 IN PANEL PIERCING. DGW 7-13-2011 <i>CLB 7/13/11</i>	1	2	3	4	5	6	7	8	9	10
GW INDUSTRIES Southampton, Pa. 18966 TOLERANCES UNLESS OTHERWISE SPECIFIED 2 Place Decimal ±.010 METRIC 3 Place Decimal ±.005 1 Place Dec. ±.25mm Angles ±1 2 Place Dec. ±.13mm Made for: CW IND. Drawn by: DGW 7-13-2011 Checked by: <i>B. Guld 7-13-11</i> Approval: <i>C. James 7/13/11</i>								Title: ASSEMBLY DRAWING S.P.S.T. ROCKER SWITCH NONPOLARIZED W/BARRIERS 1.090" x .550" PANEL Division: SWITCH Dwg. No. GRS-2012-2004		