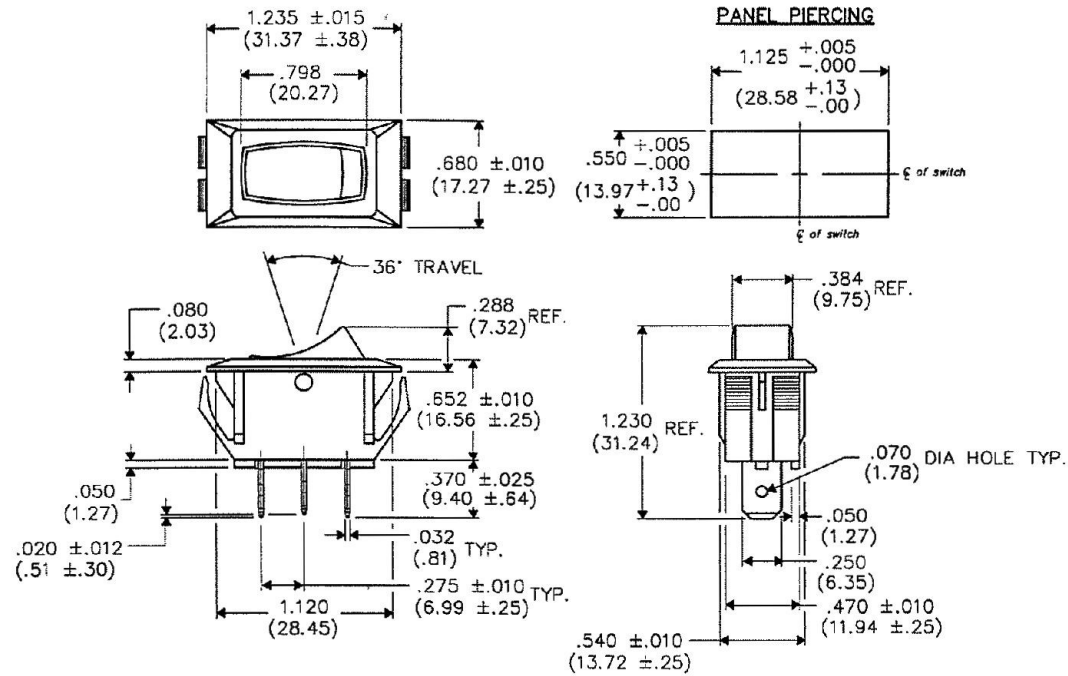


DIMENSIONS IN INCHES (MILLIMETERS)
DO NOT SCALE DRAWING

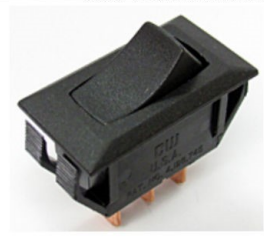
Dwg. No.
GRS-2012-2001

E
D
C
B
A



1 2 3 4 5 6 7 8 9 10

FORM-B3
REVISIONS
RELEASED
D&W 1-09-97
JAN 17 1997



CW INDUSTRIES Southampton, Pa. 18966		Title: ROCKER SWITCH S.P.D.T. ASSEMBLY NON-POLARIZED 1.125" x .550" PANEL	
TOLERANCES UNLESS OTHERWISE SPECIFIED			
2 Place Decimal ±.010	METRIC		
3 Place Decimal ±.005	1 Place Dec. ±.25mm		
Angles ±1°	2 Place Dec. ±.13mm		
Made for: CW IND.	Division: SWITCH		
Drawn by: DGW 1-09-97	Dwg. No. GRS-2012-2001		
Checked by: <i>G. GULD 1-15-97</i>			
Approval: <i>B. Williams 1-15-97</i>			

ID. No: SAS0272A