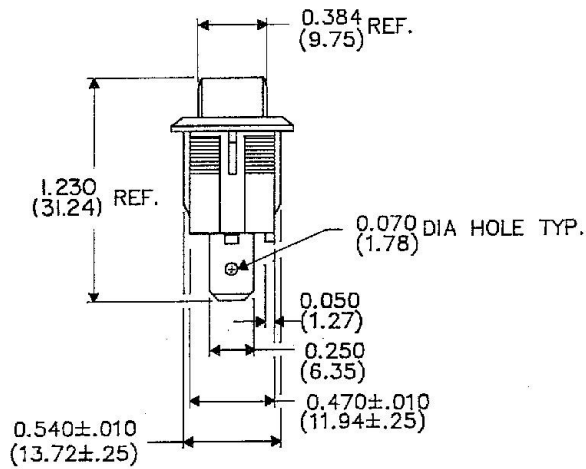
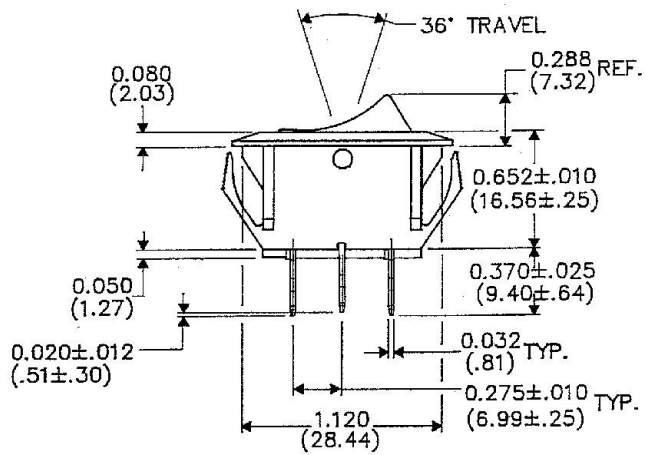
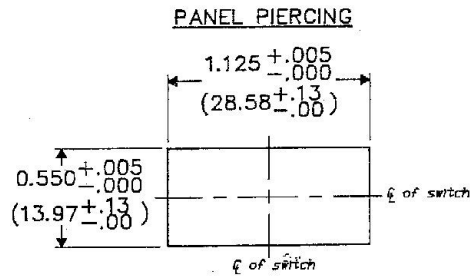
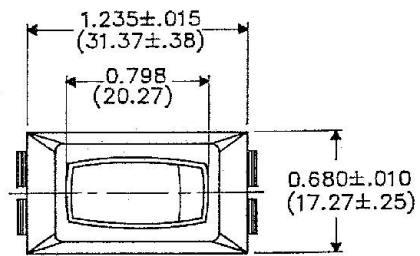


DIMENSIONS IN INCHES (MILLIMETERS)  
DO NOT SCALE DRAWING...

Drawing No.  
GRS-2012-2000



B-FORM-0  
REVISIONS  
0  
RELEASED  
MAM 4-13-89  
2-6-89



**CW INDUSTRIES**  
Southampton, Pa. 18966

TOLERANCES UNLESS OTHERWISE SPECIFIED  
2 Place decimal ±.010 METRIC  
3 Place decimal ±.005 1 Place dec. ±.25 MM  
Angles . . . . . 1° 2 Place dec. ±.13 MM

Made for: CW  
Drawn by: MAM 4-14-89  
Checked by: *AKL* 4-16-89  
Approval: *RSK* 2-6-90

Title  
ASSEMBLY DRAWING  
S.P.D.T. ROCKER SWITCH  
NON-POLARIZED  
1.125 x .550 PANEL

Division  
SWITCH  
Drawing No.  
GRS-2012-2000