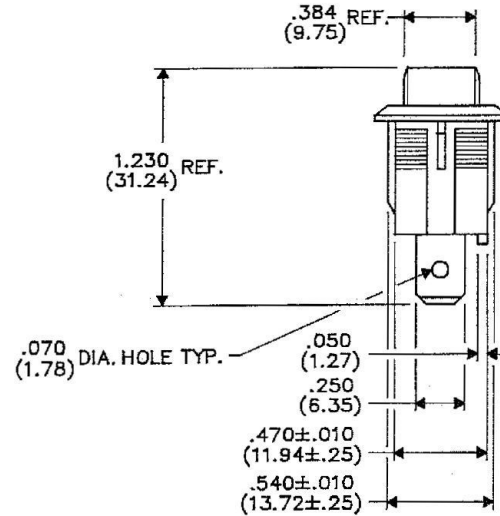
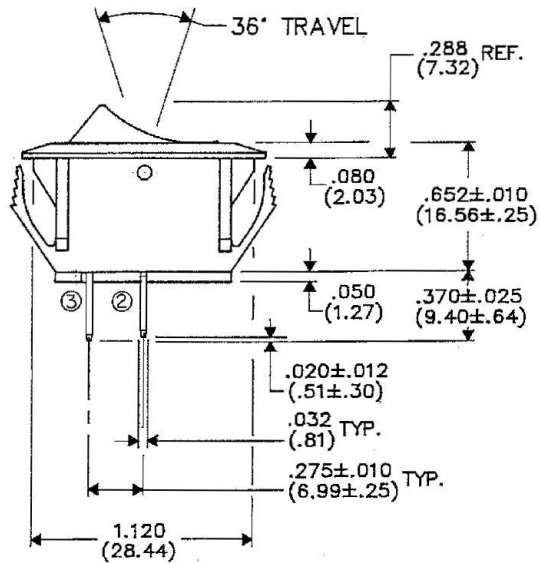
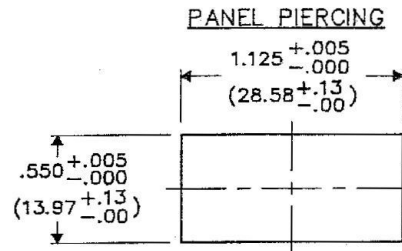
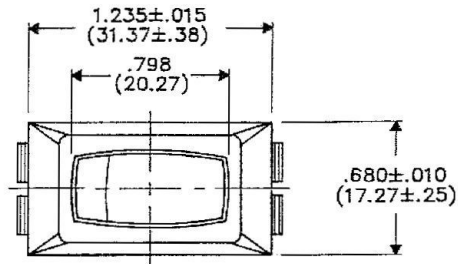


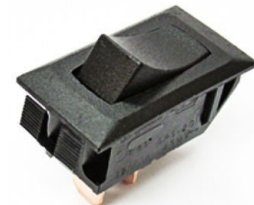
DIMENSIONS IN INCHES (MILLIMETERS)  
DO NOT SCALE DRAWING...

Drawing No.  
**GRS-2011C-2000**



B-FORM-8  
REVISIONS  
RELEASED BY MAM 4-11-90  
SEP 21 1990

**ATTENTION**  
THIS DRAWING AND ITS ATTACHMENTS, IF ANY, ARE PROPRIETARY TO CW INDUSTRIES AND DESCRIBE DESIGNS THAT ARE CONFIDENTIAL AND MUST NOT BE DISCLOSED UNLESS AUTHORIZED, IN WRITING, BY AN OFFICER OF CW INDUSTRIES.....



**CW INDUSTRIES**  
Southampton, Pa. 18966

TOLERANCES UNLESS OTHERWISE SPECIFIED  
2 Place decimal ±.010 METRIC  
3 Place decimal ±.005 1 Place dec. ±.25 MM  
Angles . . . . . ±1° 2 Place dec. ±.13 MM

Made for: CW Ind.  
Drawn by: MAM 4-18-90  
Checked by: *[Signature]*  
Approval: *[Signature]*

Title **ASSEMBLY DRAWING**  
**S.P.S.T. ROCKER SWITCH**  
**MOMENTARY NORMALLY CLOSED**  
**NON-POLARIZED**  
**1.125" x .550" PANEL**

Division **SWITCH**

Drawing No.  
**GRS-2011C-2000**

PDF File Made