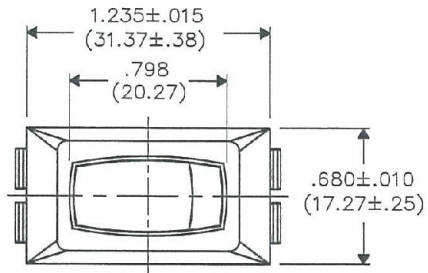


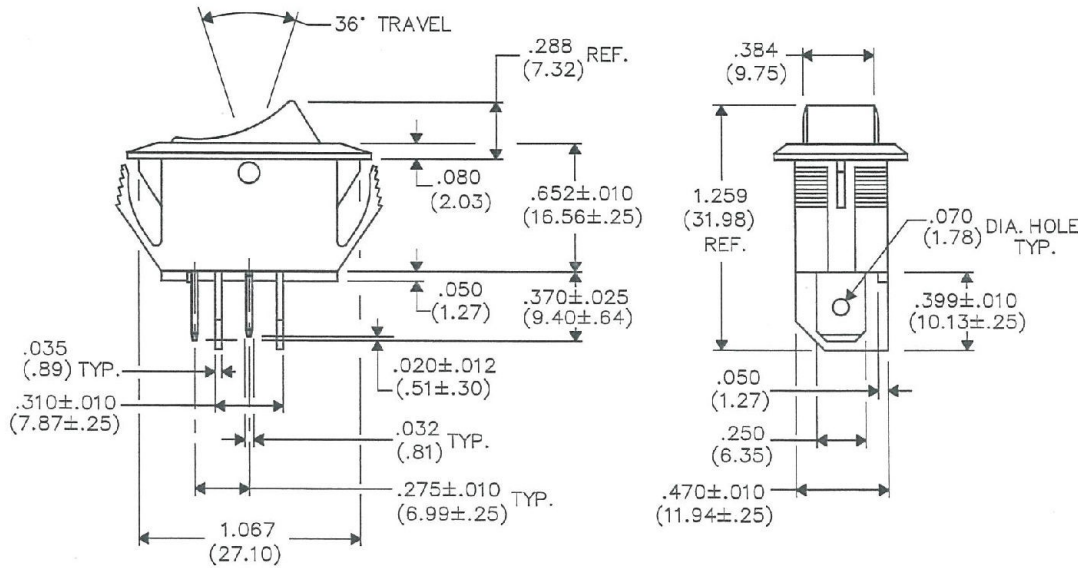
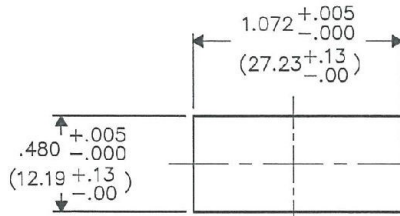
THIS INFORMATION IS CONFIDENTIAL AND PROPRIETARY TO CW INDUSTRIES INCORPORATED AND ITS AFFILIATES. IT MAY NOT BE DISCLOSED TO ANYONE, OTHER THAN CW INDUSTRIES PERSONNEL, WITHOUT WRITTEN AUTHORIZATION FROM CW INDUSTRIES INCORPORATED, SOUTHAMPTON, PENNSYLVANIA USA.

DIMENSIONS IN INCHES (MILLIMETERS)
DO NOT SCALE DRAWING

Dwg. No.
GRS-2011B-3003



PANEL PIERCING



UL & CSA Listings:
13A 125VAC
10A 250VAC

MATERIALS:
Button & Housing:
Nylon 6/6, Color - Black
Terminal/Moving Contact:
Copper Alloy/Micro - Finish

Function: SP/ST - Momentary
Switch is Shown in
Normally Open Position.

B-FORMAT 2002

REVISIONS	1	2
RELEASED:	0	
MAM 4-11-90		
CH Sep. 20, 1990		
REVISED & REDRAWN	1	
CORRECTED VIEWS		
REMOVED 1.230, ADDED 1.259.		
SPR 10-16-92		
RBK OCT. 20, 1992		
Updated with new Format		2
and Redrawn. Added Listings		
/Ratings & Materials		
DGW 5/28/19		
JULY 2 8 2015		



CW INDUSTRIES Southampton, Pa. 18966		Title: ROCKER SWITCH ASSEMBLY S.P.S.T.	
TOLERANCES UNLESS OTHERWISE SPECIFIED			
2 Place Decimal ±.010	METRIC	MOMENTARY NORMALLY OPEN	
3 Place Decimal ±.005	1 Place Dec. ±.25mm	NON-POLARIZED WITH BARRIERS	
Angles ±1°	2 Place Dec. ±.13mm	.480" x 1.072" PANEL	
Made for: CW IND.		Division: SWITCH	
Drawn by: DGW 5/28/19		Dwg. No. GRS-2011B-3003	
Checked by: G. GULD 5-28-19			
Approval: <i>[Signature]</i> 5/28/19			