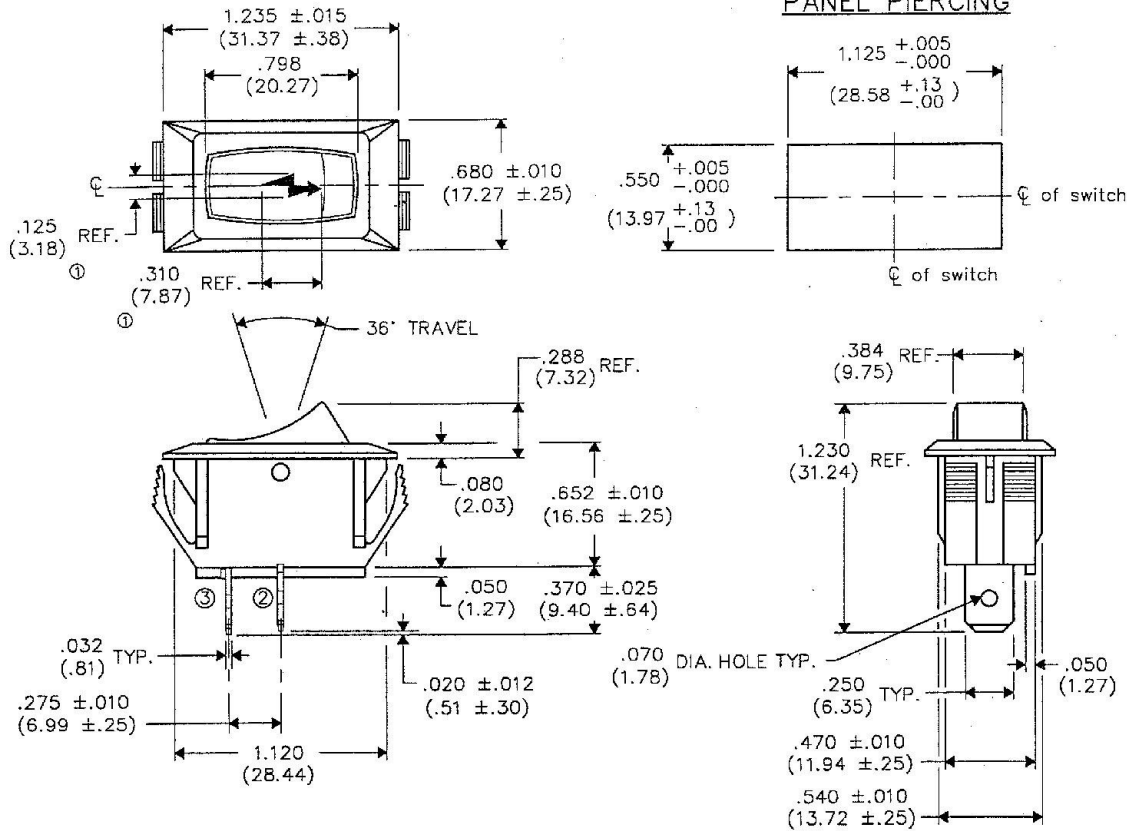


DIMENSIONS IN INCHES (MILLIMETERS)
DO NOT SCALE DRAWING

Dwg. No.

GRS-2011B-2012

PANEL PIERCING



FORM-B

REVISIONS	0	1
RELEASED	10-09-95	OCT 11 1995
DWG	.235 B.125	1
	WAS .060	
	DGW 11-20-95	
	G.G	NOV 20 1995

ATTENTION
THIS DRAWING AND ITS ATTACHMENTS, IF ANY, ARE PROPRIETARY TO CW INDUSTRIES AND DESCRIBE DESIGNS THAT ARE CONFIDENTIAL AND MUST NOT BE DISCLOSED UNLESS AUTHORIZED, IN WRITING, BY AN OFFICER OF CW INDUSTRIES.....



PDF File Made	CW INDUSTRIES Southampton, Pa. 18966	
	TOLERANCES UNLESS OTHERWISE SPECIFIED	
	2 Place decimal ±.010	METRIC
	3 Place decimal ±.005	1 Place dec. ±.25mm
Angles ± 1°		2 Place dec. ±.13mm
Made for: CW IND.		Division: SWITCH
Drawn by: DGW 10-09-95		Dwg. No.
Checked by: G.GOLD 10-11-95		GRS-2011B-2012
Approval: <i>B.T. Plonca</i> 10-11-95		

Title: ASSEMBLY DRAWING
S.P.S.T. ROCKER SWITCH
MOMENTARY NORMALLY OPEN
NON-POLARIZED
1.125" x .550" PANEL