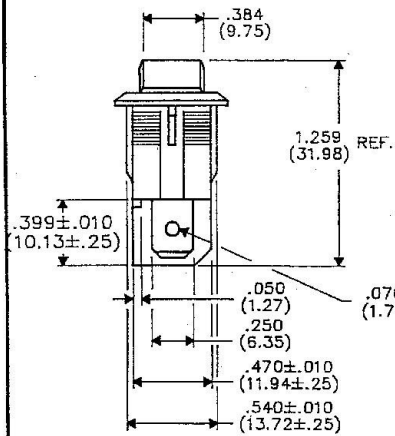
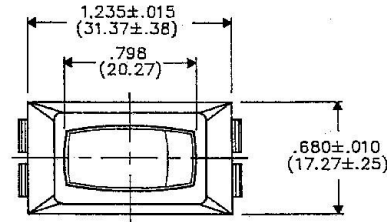
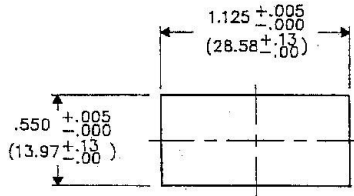


DIMENSIONS IN INCHES (MILLIMETERS)  
DO NOT SCALE DRAWING...

Drawing No.

GRS-2011B-2003

PANEL PIERCING

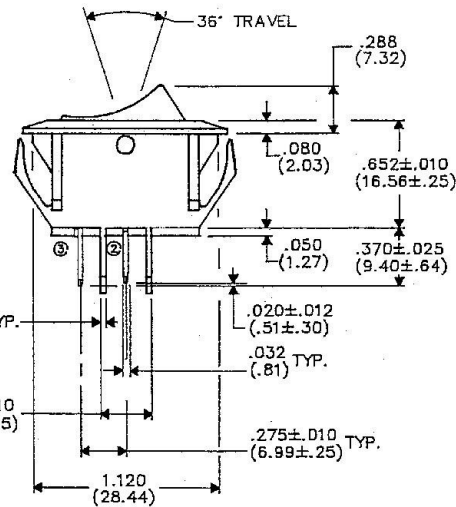


.070 DIA. HOLE TYP.

.035 TYP. (.89)

.310 ± .010 (7.87 ± .25)

1.120 (28.44)



B-FORM-0

REVISIONS

0	RELEASED
1	REVISED TO RETRACK
2	CORRECTED VIEWS
3	REMOVED 1.230, ADDED 1.259
4	SPR 10-16-92
5	OCT 20 1992

**ATTENTION**  
THIS DRAWING AND ITS ATTACHMENTS, IF ANY, ARE PROPRIETARY TO CW INDUSTRIES AND DESCRIBE DESIGNS THAT ARE CONFIDENTIAL AND MUST NOT BE DISCLOSED UNLESS AUTHORIZED, IN WRITING, BY AN OFFICER OF CW INDUSTRIES.....



**CW INDUSTRIES**  
Southampton, Pa. 18966

TOLERANCES UNLESS OTHERWISE SPECIFIED  
2 Place decimal ±.010 METRIC  
3 Place decimal ±.005 | 1 Place dec. ±.25 MM  
Angles ±1° | 2 Place dec. ±.15 MM

Made for: CW Ind.

Drawn by: MAM 4-18-90

Checked by: G.GULD 10-20-92

Approval: JPK 10-20-92

Title  
**ASSEMBLY DRAWING**  
**S.P.S.T. ROCKER SWITCH**  
MOMENTARY NORMALLY OPEN  
NON-POLARIZED WITH BARRIERS  
1.125" X .550" PANEL

Division  
**SWITCH**

Drawing No.

GRS-2011B-2003

PDF File Made