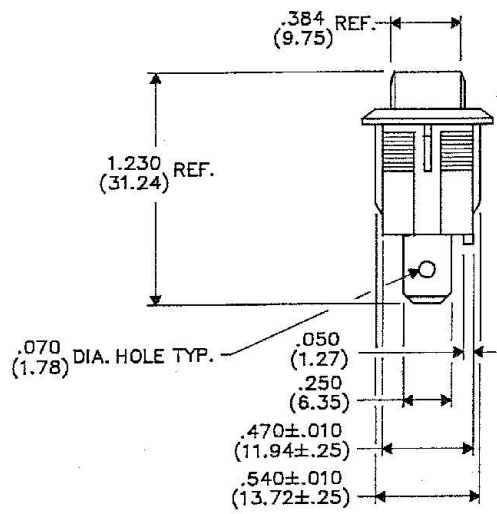
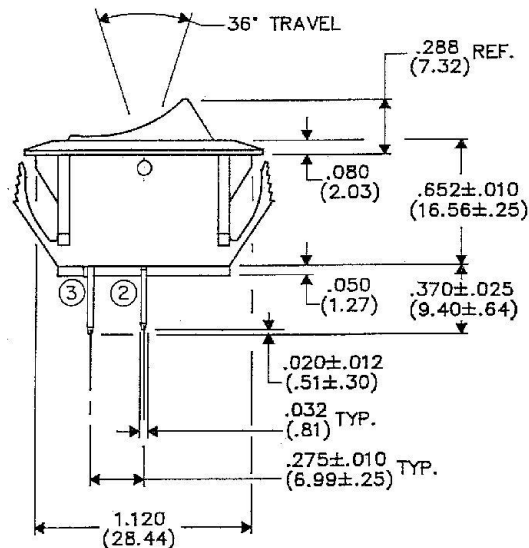
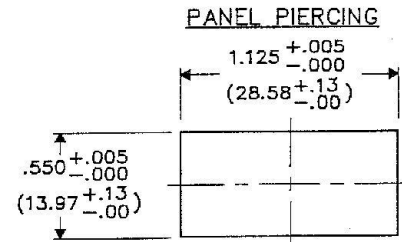
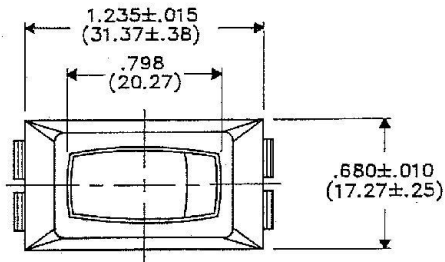


DIMENSIONS IN INCHES (MILLIMETERS) Drawing No. GRS-2011B-2000
DO NOT SCALE DRAWING...



B-FORM-0
REVISIONS
RELEASED
MAM 4-18-90
SEP 20 1990

ATTENTION
THIS DRAWING AND ITS ATTACHMENTS, IF ANY, ARE PROPRIETARY TO CW INDUSTRIES AND DESCRIBE DESIGNS THAT ARE CONFIDENTIAL AND MUST NOT BE DISCLOSED UNLESS AUTHORIZED, IN WRITING, BY AN OFFICER OF CW INDUSTRIES.....



PDF File Made:	CW INDUSTRIES Southampton, Pa. 18966	Title ASSEMBLY DRAWING S.P.S.T. ROCKER SWITCH MOMENTARY NORMALLY OPEN NON-POLARIZED 1.125" x .550" PANEL
	TOLERANCES UNLESS OTHERWISE SPECIFIED 2 Place decimal ±.010 METRIC 3 Place decimal ±.005 1 Place dec. ±.25 MM Angles ±1° 1/2 Place dec. ±.15 MM	Division SWITCH
	Made For: CW Ind.	Drawn by: MAM 4-18-90
	Checked by: S-20-90	Approved: S-10-90
		Drawing No. GRS-2011B-2000