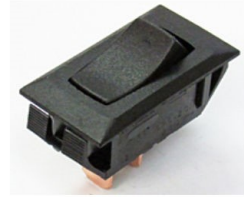
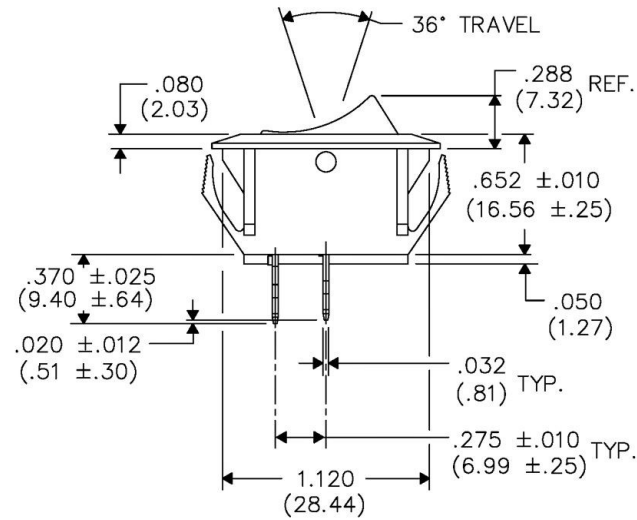
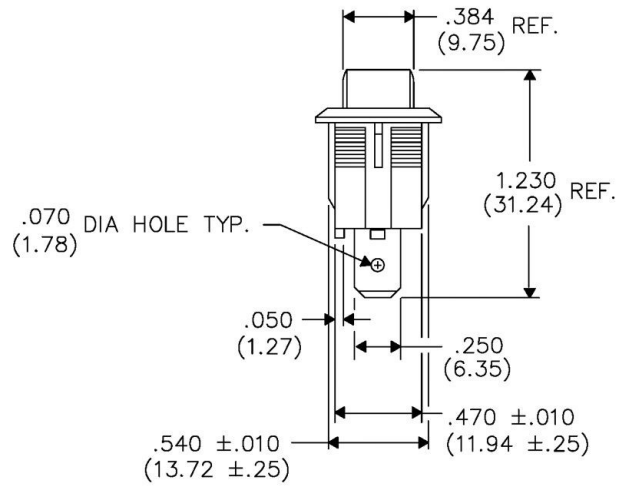
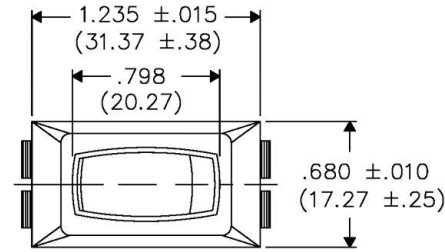
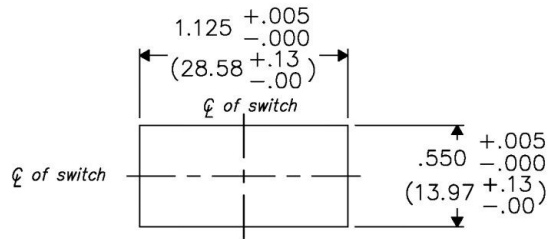


DIMENSIONS IN INCHES (MILLIMETERS)  
DO NOT SCALE DRAWING .....

Dwg. No.  
GRS-2011-2600

PANEL PIERCING



**CW INDUSTRIES**  
Southampton, Pa. 18966  
TOLERANCES UNLESS OTHERWISE SPECIFIED  
2 Place Decimal ±.010 METRIC  
3 Place Decimal ±.005 1 Place Dec. ±.25mm  
Angles ..... ±1° 2 Place Dec. ±.13mm

Title: ASSEMBLY DRAWING  
S.P.S.T. ROCKER SWITCH  
NON-POLARIZED  
1.125"X .550" PANEL

Made for: CW IND.  
Drawn by: DGW 3-21-2002  
Checked by: GG 3-27-02  
Approval: bf 4-01-02

Division: SWITCH  
Dwg. No. GRS-2011-2600

FORM-B4  
REVISIONS  
0  
RELEASED.  
DGW 3-21-2002