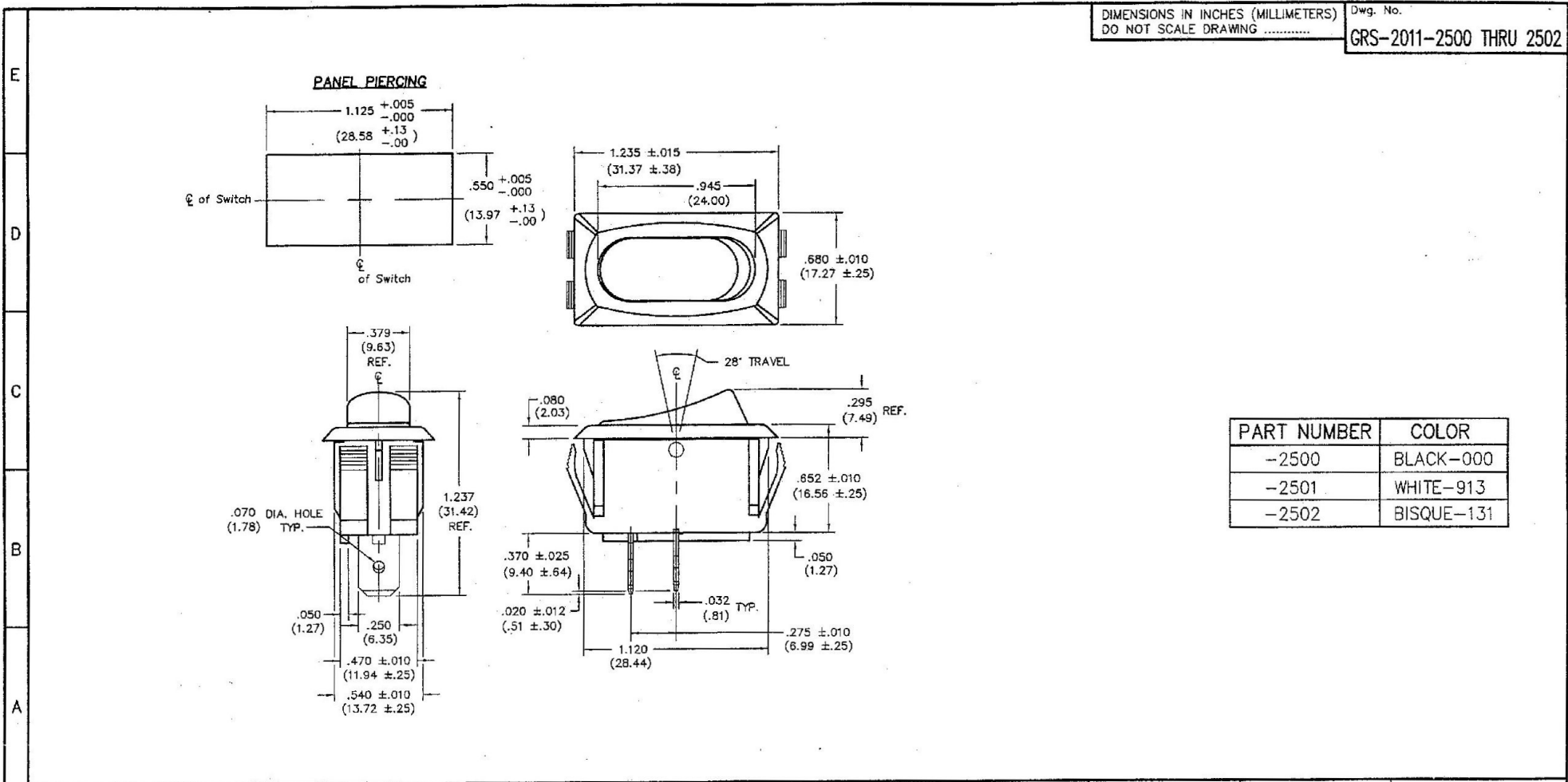




DIMENSIONS IN INCHES (MILLIMETERS)  
DO NOT SCALE DRAWING .....

Dwg. No.  
GRS-2011-2500 THRU 2502



PART NUMBER	COLOR
-2500	BLACK-000
-2501	WHITE-913
-2502	BISQUE-131

SIZE-B4 REVISIONS 0 RELEASED: DGW 9-27-2001 09/27/01	<b>ATTENTION</b> THIS DRAWING AND ITS ATTACHMENTS, IF ANY, ARE PROPRIETARY TO CW INDUSTRIES AND DESCRIBE DESIGNS THAT ARE CONFIDENTIAL AND MUST NOT BE DISCLOSED UNLESS AUTHORIZED, IN WRITING, BY AN OFFICER OF CW INDUSTRIES.	 	<b>CW INDUSTRIES</b> Southampton, Pa. 18966 <b>TOLERANCES UNLESS OTHERWISE SPECIFIED</b> 2 Place Decimal $\pm 0.010$ METRIC 3 Place Decimal $\pm 0.005$ 1 Place Dec. $\pm 0.25$ mm Angles $\pm 1^\circ$ 2 Place Dec. $\pm 0.13$ mm Made for: CW IND. Drawn by: DGW 9-27-2001 Checked by: G. Gold 9-28-01 Approved: [Signature] 10-2-01	Title: ROCKER SWITCH SP/ST ASSEMBLY EURO STYLE, POLARIZED 1.125" x .550" PANEL
				Division: DIVISION

**MASTER**