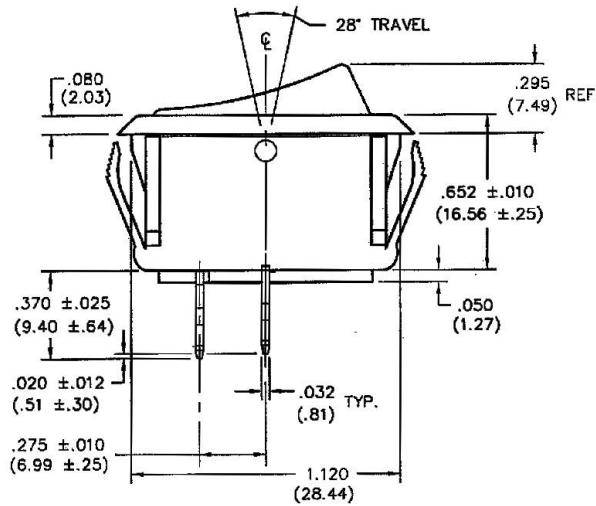
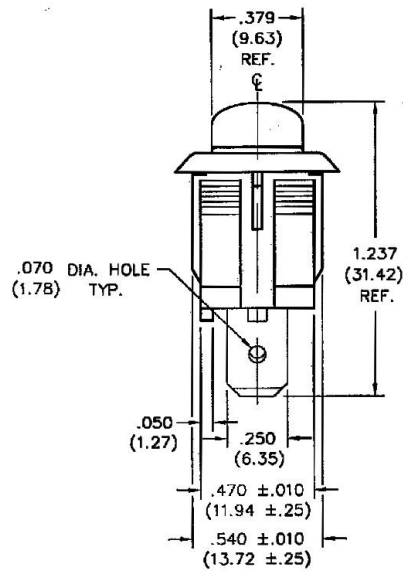
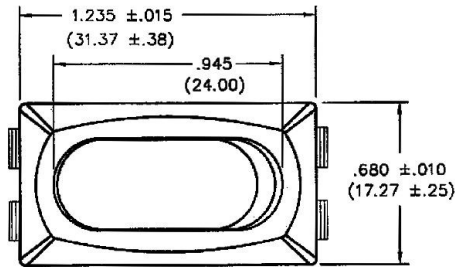
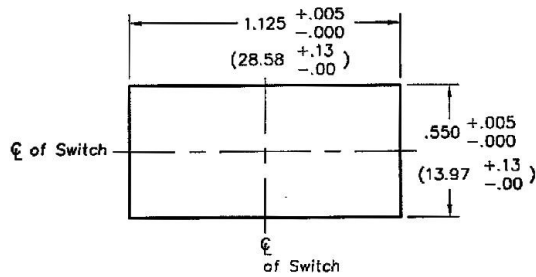


DIMENSIONS IN INCHES (MILLIMETERS)  
DO NOT SCALE DRAWING .....

Dwg. No.  
**GRS-2011-2400 & -2401**

**PANEL PIERCING**



P/N	MATERIAL COLOR
GRS-2011	
-2400	Button- Black BK-000 Housing- Black BK-000
-2401	Button- White WT-913 Housing- White WT-913

FORM-B4	1	2	3	4	5	6	7	8	9	10
<b>REVISIONS</b>	0	1								
RELEASED.	3-30-2001									
DGW	MAY 3 2001									
ADDED P/N CHART & -2401 TO DWG. NO.										
DGW	8-13-2008									
<b>GG</b>	<b>AUG 15 2008</b>									

**ATTENTION**  
THIS DRAWING AND ITS ATTACHMENTS, IF ANY, ARE PROPRIETARY TO CW INDUSTRIES AND DESCRIBE DESIGNS THAT ARE CONFIDENTIAL AND MUST NOT BE DISCLOSED UNLESS AUTHORIZED, IN WRITING, BY AN OFFICER OF CW INDUSTRIES.....



**CW INDUSTRIES**  
Southampton, Pa. 18966

TOLERANCES UNLESS OTHERWISE SPECIFIED:  
2 Place Decimal ±.010 METRIC  
3 Place Decimal ±.005 1 Place Dec. ±.25mm  
Angles ±1' 2 Place Dec. ±.13mm

Made for: CW IND.  
Drawn by: DGW 3-30-2001  
Checked by: G. Gold 4-2-01  
Approval: B. F. [Signature] 4-5-01

Title: **ROCKER SWITCH S.P.D.T. ASSEMBLY**  
**STYLE LINE**  
**1.125" x .550" PANEL**

Division: **SWITCH**  
Dwg. No. **GRS-2011-2400 & -2401**