

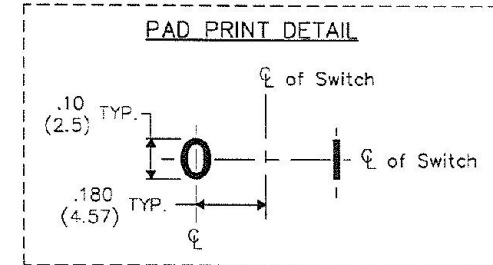
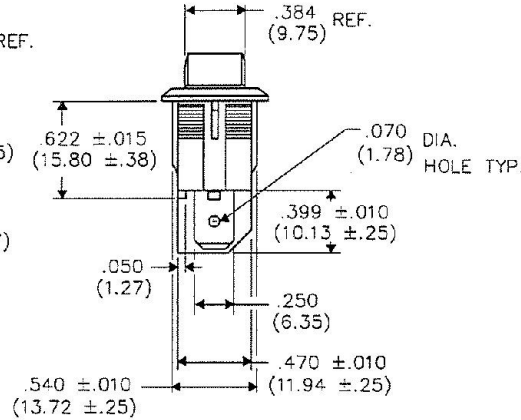
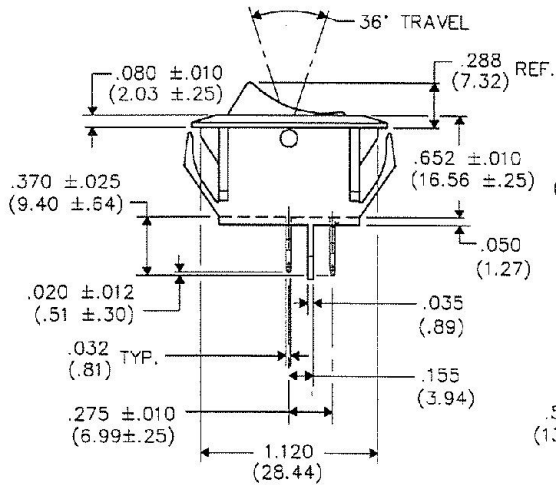
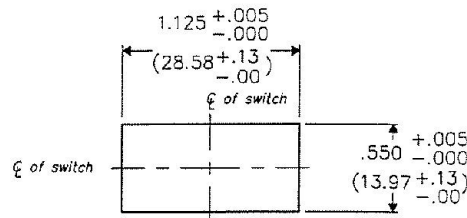
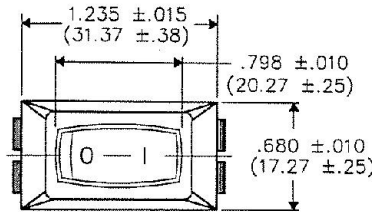
DIMENSIONS IN INCHES (MILLIMETERS)  
DO NOT SCALE DRAWING

Dwg. No.

GRS-2011-2106

E  
D  
C  
B  
A

**PANEL PIERCING**



1 2 3 4 5 6 7 8 9 10

FORM-B4  
REVISIONS  
0  
RELEASED: DGW 5-17-2000  
CW INDUSTRIES



**CW INDUSTRIES**  
Southampton, Pa. 18966  
TOLERANCES UNLESS OTHERWISE SPECIFIED  
2 Place Decimal ±.010 METRIC  
3 Place Decimal ±.005 1 Place Dec. ±.25mm  
Angles ..... ±1° 2 Place Dec. ±.13mm  
Made for: CW IND.  
Drawn by: DGW 5-17-2000  
Checked by: G. Guild 5-18-00  
Approval: [Signature]

Title: ASSEMBLY  
S.P.S.T. ROCKER SWITCH  
NON-POLAR., ONE BARR.  
1.125" x .550" PANEL  
Division: SWITCH  
Dwg. No. GRS-2011-2106