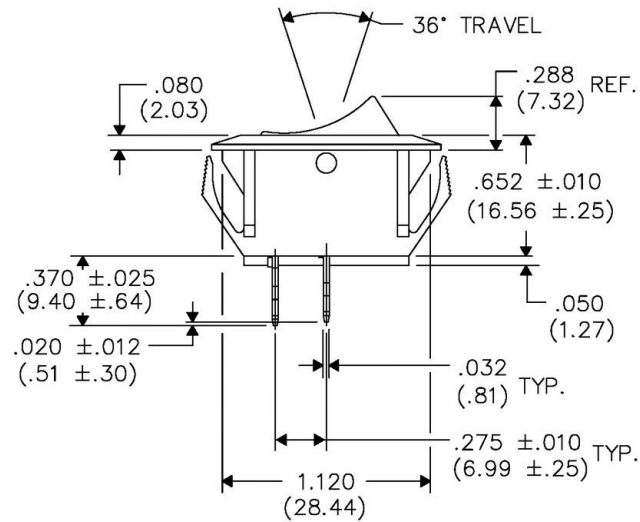
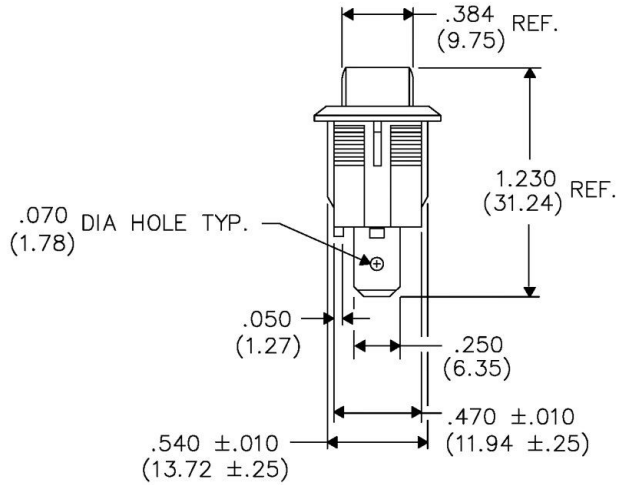
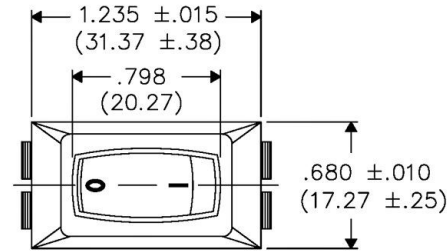
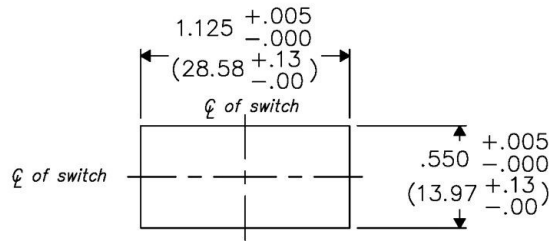


DIMENSIONS IN INCHES (MILLIMETERS)
DO NOT SCALE DRAWING

Dwg. No.
GRS-2011-2080

PANEL PIERCING



CW INDUSTRIES	
Southampton, Pa. 18966	
TOLERANCES UNLESS OTHERWISE SPECIFIED	
2 Place Decimal $\pm .010$	METRIC
3 Place Decimal $\pm .005$	1 Place Dec. $\pm .25$ mm
Angles $\pm 1^\circ$	2 Place Dec. $\pm .13$ mm
Made for: CW IND.	Division: SWITCH
Drawn by: DGW 8-02-94	Dwg. No. GRS-2011-2080
Checked by: GG 8-03-94	
Approval: RBK 8-04-94	

Title: ASSEMBLY DRAWING
S.P.S.T. ROCKER SWITCH
NON-POLARIZED
1.125" X .550" PANEL

FORM-B4
REVISIONS
0
RELEASED: DGW 8-02-94 RBK 8-05-94