

THIS INFORMATION IS CONFIDENTIAL AND PROPRIETARY TO CW INDUSTRIES, INCORPORATED, AND ITS AFFILIATES. IT MAY NOT BE DISCLOSED TO ANYONE OTHER THAN CW INDUSTRIES PERSONNEL, WITHOUT WRITTEN AUTHORIZATION FROM CW INDUSTRIES INCORPORATED, SOUTHAMPTON, PENNSYLVANIA U.S.A.

F

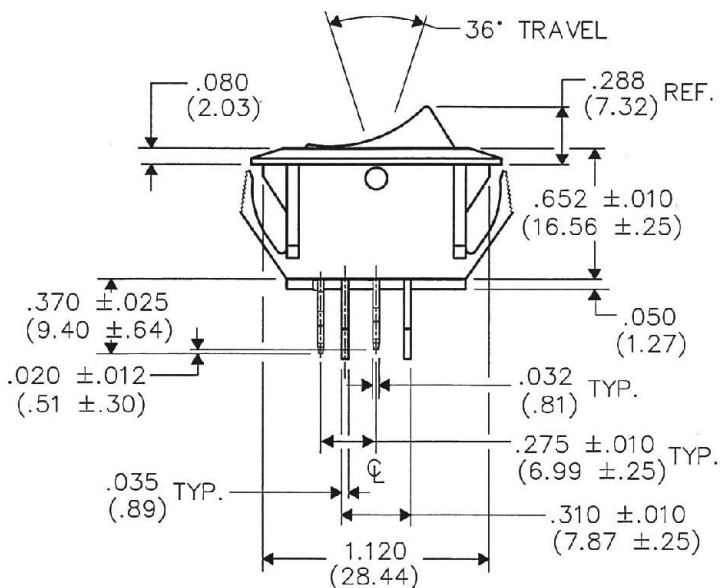
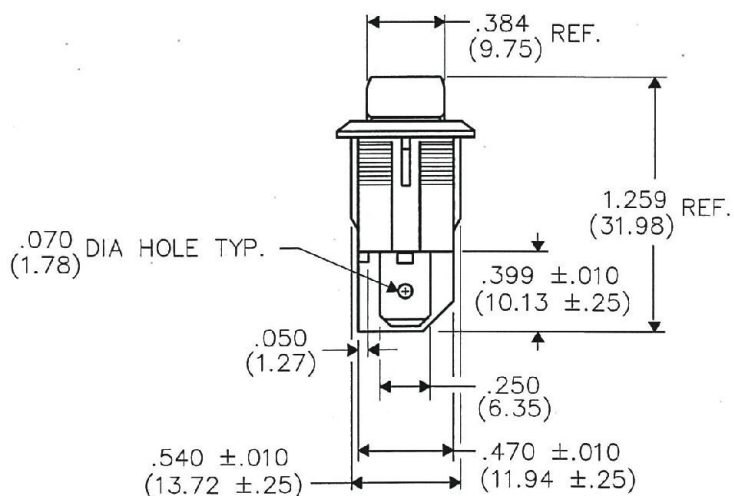
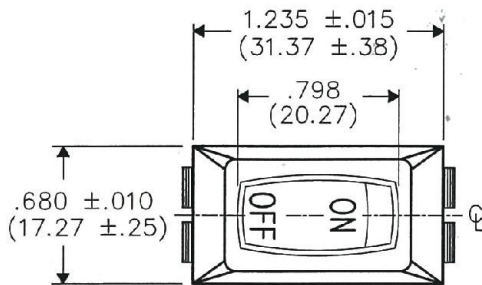
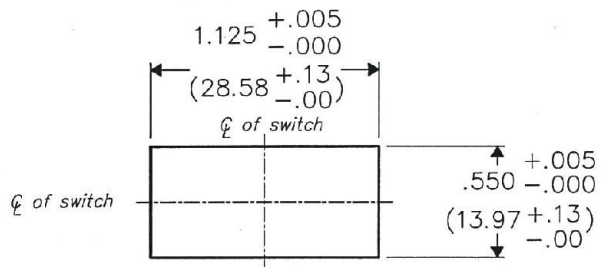
D

C

B

A

**PANEL PIERCING**



DIMENSIONS IN INCHES (MILLIMETERS)  
DO NOT SCALE DRAWING .....

Dwg. No.  
**GRS-2011-2021**

1 2 3 4 5 6 7 8 9 10

B-FORMAT 2002

**REVISIONS**

0	RELEASED. DGW 12-17-2012
1	REDRAWN, REMOVED 1 BARRIER FROM HOUSING & DIMENSION .310±.010. DGW 12-17-12 CH 12/17/12
2	REDRAWN, Added 1 barrier back to housing making 2 barriers & dimensions. DGW 7-23-2015 <i>G.G.</i> <b>JUL 23 2015</b>



**CW INDUSTRIES**  
Southampton, Pa. 18966

TOLERANCES UNLESS OTHERWISE SPECIFIED  
2 Place Decimal ±.010 METRIC  
3 Place Decimal ±.005 1 Place Dec. ±.25mm  
Angles ..... ±1' 2 Place Dec. ±.13mm

Made for: CW IND.  
Drawn by: DGW 12-17-2012  
Checked by: *G. GULD 7-23-15*  
Approval: *G. GULD 7-23-15*

Title: **ROCKER SWITCH ASSEMBLY S.P.S.T. NON-POLARIZED W/BARRIER 1.125" x .550" PANEL**

Division: **SWITCH**  
Dwg. No. **GRS-2011-2021**

PDF MADE