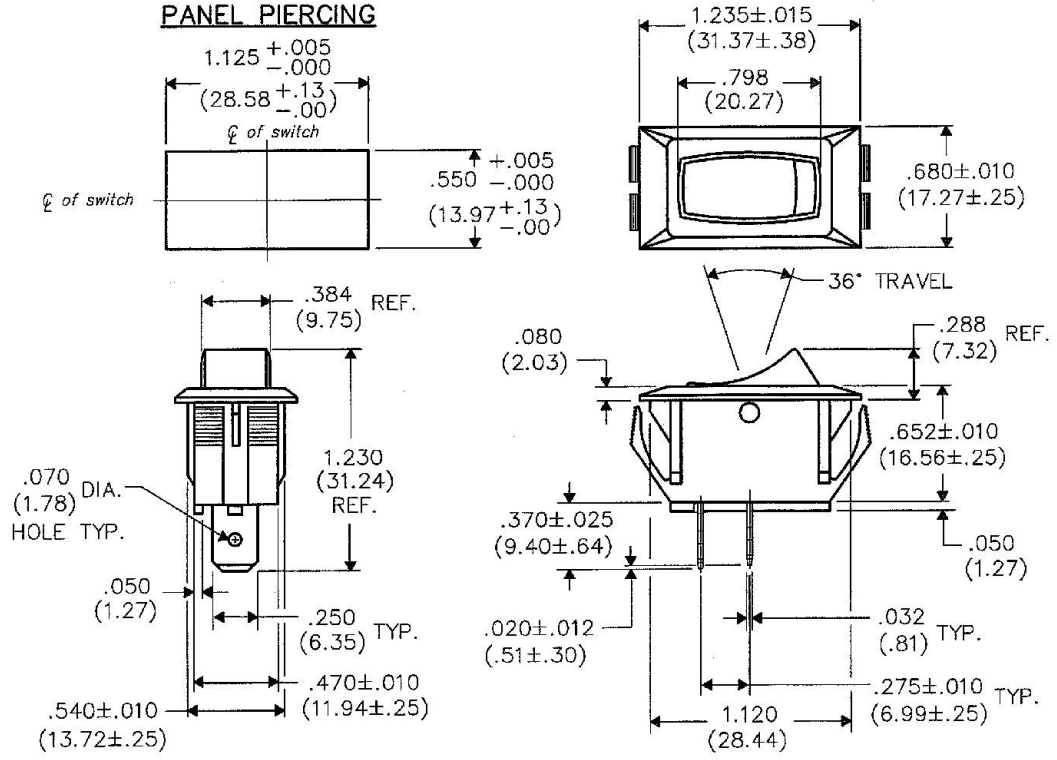


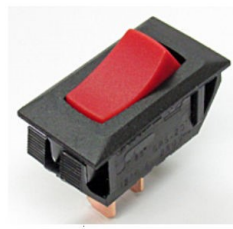
E  
D  
C  
B  
A

**PANEL PIERCING**



1 2 3 4 5 6 7 8 9 10

B-FORMAT 2002  
REVISIONS  
0  
RELEASED, DGGW 8-14-2008  
AUG 15 2008



**CW INDUSTRIES**  
Southampton, Pa. 18966  
TOLERANCES UNLESS OTHERWISE SPECIFIED  
2 Place Decimal  $\pm .010$  METRIC  
3 Place Decimal  $\pm .005$  1 Place Dec.  $\pm .25$ mm  
Angles  $\pm 1^\circ$  2 Place Dec.  $\pm .13$ mm  
Made for: CW IND.  
Drawn by: DGGW 8-14-2008  
Checked by: G. Guld 8-15-08  
Approval: G. Guld 8-15-08

Title: **ROCKER SWITCH S.P.S.T. NO POLAR.,NO BARR.**  
Division: **SWITCH**  
Dwg. No. **GRS-2011-2019**