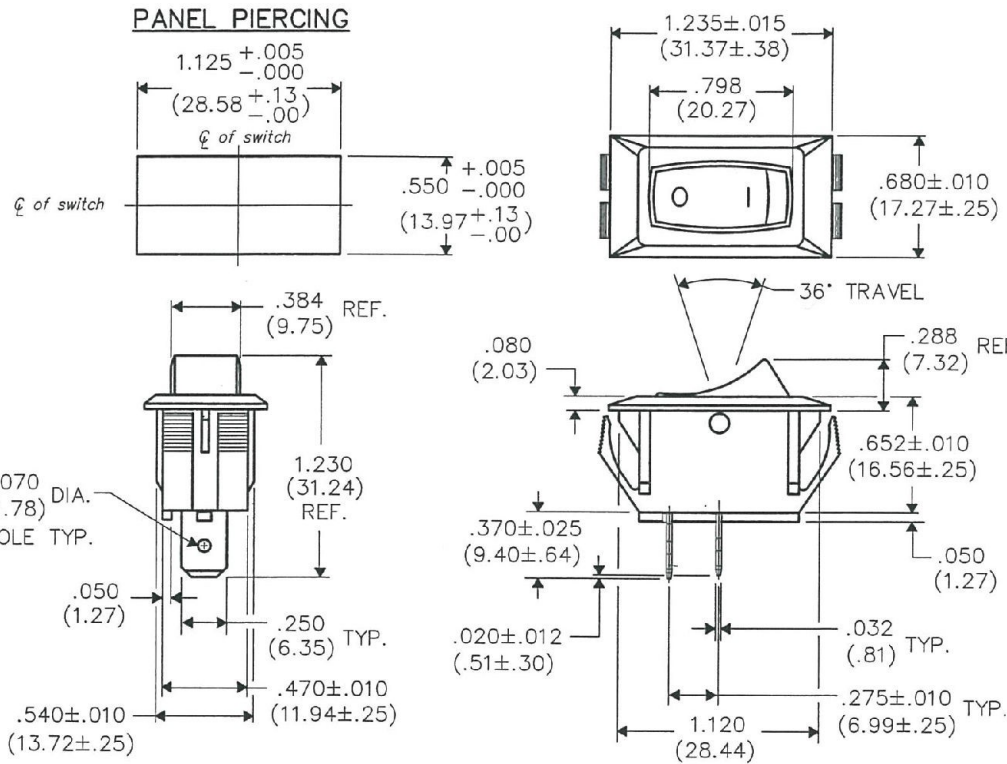


THIS INFORMATION IS CONFIDENTIAL AND PROPRIETARY TO CW INDUSTRIES INCORPORATED AND ITS AFFILIATES. IT MAY NOT BE DISCLOSED TO ANYONE, OTHER THAN CW INDUSTRIES PERSONNEL, WITHOUT WRITTEN AUTHORIZATION FROM CW INDUSTRIES INCORPORATED, SOUTHAMPTON, PENNSYLVANIA USA.

DIMENSIONS IN INCHES (MILLIMETERS)  
DO NOT SCALE DRAWING .....

Dwg. No.  
**GRS-2011-2018**



ACTUATOR COLOR – Black  
HOUSING COLOR – Black  
ACTUATOR PRINTING COLOR – White

**ELECTRICAL RATINGS:**

- 16A. 125V
- 12A. 250VAC
- 10A. 14V. (T)
- 3/4 H.P. 125-250 VAC

UL/CSA

B-FORMAT 2002

**REVISIONS**

RELEASED: 10  
DGW 10-02-13  
10/2/12 OCT 02 2013



PDF MADE

**CW INDUSTRIES**  
Southampton, Pa. 18966

TOLERANCES UNLESS OTHERWISE SPECIFIED  
2 Place Decimal ±.010 METRIC  
3 Place Decimal ±.005 1 Place Dec. ±.25mm  
Angles ..... ±1° 2 Place Dec. ±.13mm

Made for: CW IND.  
Drawn by: DGW 10-02-13  
Checked by: G. Gold 10-2-13  
Approval: *C. Hume* 10/2/12

Title: **ROCKER SWITCH ASSEMBLY SP/ST**

Division: **SWITCH**  
Dwg. No. **GRS-2011-2018**