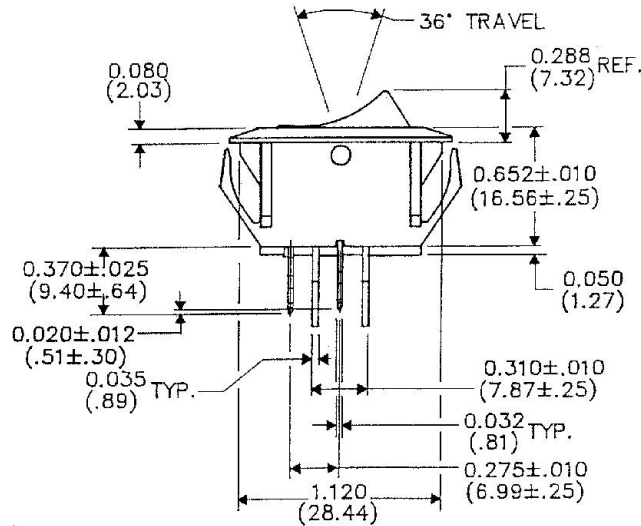
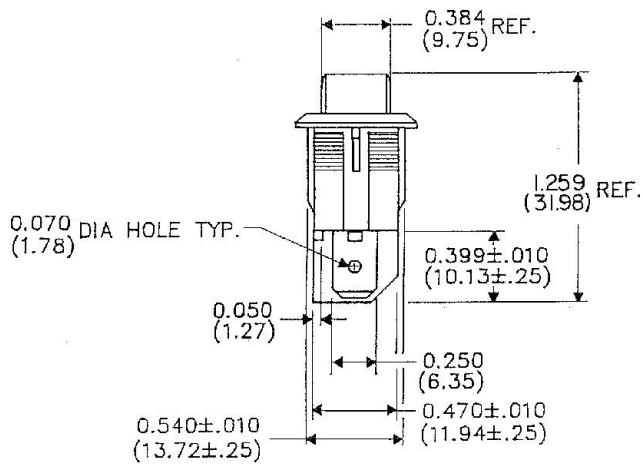
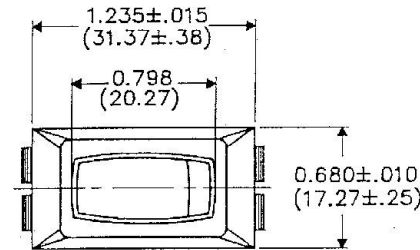
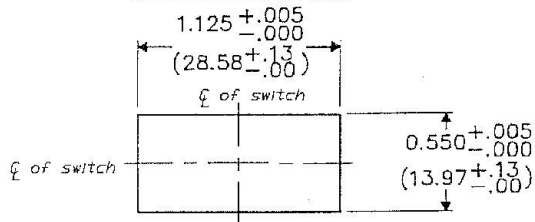


DIMENSIONS IN INCHES (MILLIMETERS)
DO NOT SCALE DRAWING...

Drawing No
GRS-2011-2004

PANEL PIERCING



B-FORM-2
REVISIONS
0
RELEASED
MAM 4-13-89
C 2-6-90



CW INDUSTRIES
Southampton, Pa. 18966

TOLERANCES UNLESS OTHERWISE SPECIFIED
2 Place decimal \pm .010 METRIC
3 Place decimal \pm .005 1 Place dec. \pm .25 MM
Angles \pm 1° 2 Place dec. \pm .13 MM

Made for: CW
Drawn by: MAM 4-14-89
Checked by: (Signature) 2-6-90
Approval: (Signature) 2-6-90

Title
**ASSEMBLY DRAWING
S.P.S.T. ROCKER SWITCH
NONPOLARIZED W/BARRIERS
1.125 x .550 OPENING**

Division
SWITCH

Drawing No.
GRS-2011-2004