

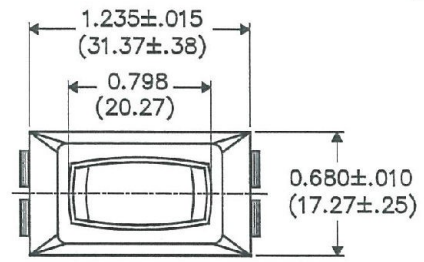
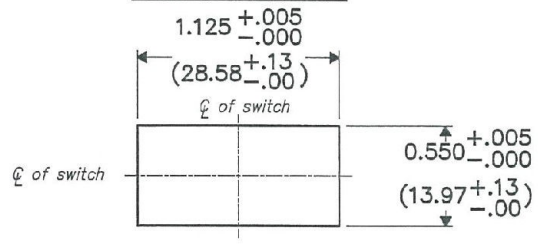
F
 D
 C
 B
 A

THIS INFORMATION IS CONFIDENTIAL AND PROPRIETARY TO CW INDUSTRIES INCORPORATED AND ITS AFFILIATES. IT MAY NOT BE DISCLOSED TO ANYONE OTHER THAN CW INDUSTRIES PERSONNEL WITHOUT WRITTEN AUTHORIZATION FROM CW INDUSTRIES INCORPORATED, SOUTHAMPTON, PENNSYLVANIA USA.

DIMENSIONS IN INCHES (MILLIMETERS)
 DO NOT SCALE DRAWING

Dwg. No.
GRS-2011-2000

PANEL PIERCING

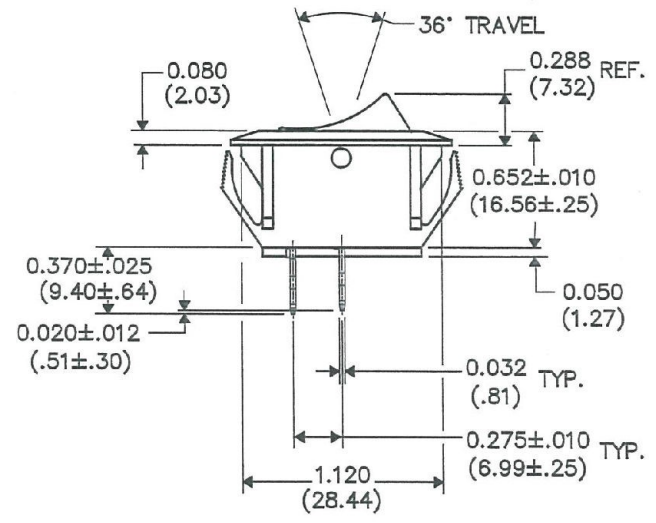
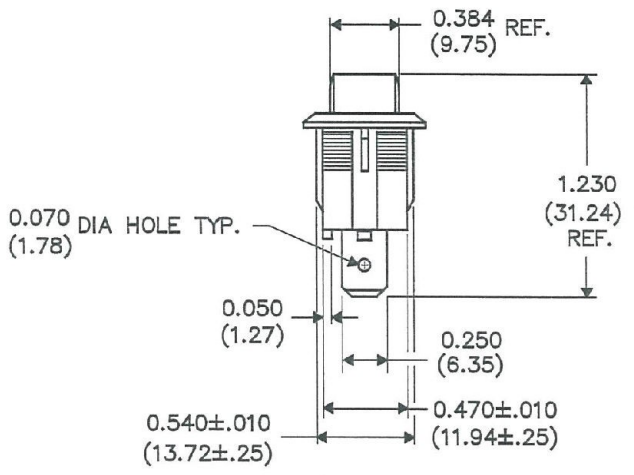


MATERIAL:

Housing & Button:
 Nylon 6/6, Color- Black
 Moving Contacts:
 Copper Alloy/Micro-Finish

RATINGS:

UL/CSA/VDE
 16A 125V 12A 250VAC
 3/4 H.P. 125-250VAC
 10A 14VT T85°
 GRS-2011 12(6)A 250V~



1 2 3 4 5 6 7 8 9 10

B-FORMAT 2002

REVISIONS
1 Updated & Redrawn. Added Material & Ratings. DGW 5/09/19 MAY 0 6 2019 <i>CGS/kls</i>



PDF MADE	cw INDUSTRIES Southampton, Pa. 18968	Title: ASSEMBLY DRAWING S.P.S.T. ROCKER SWITCH NON-POLARIZED 1.125" x .550" PANEL
	TOLERANCES UNLESS OTHERWISE SPECIFIED 2 Place Decimal ±.010 METRIC 3 Place Decimal ±.005 1 Place Dec. ±.25mm Angles ±1' 2 Place Dec. ±.13mm	Division: SWITCH
	Made for: CW IND.	Dwg. No. GRS-2011-2000
	Drawn by: DGW 5-06-19 Checked by: <i>G. GOLD 5-6-19</i> Approval: <i>CGS/kls 5/6/19</i>	