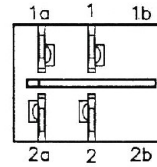
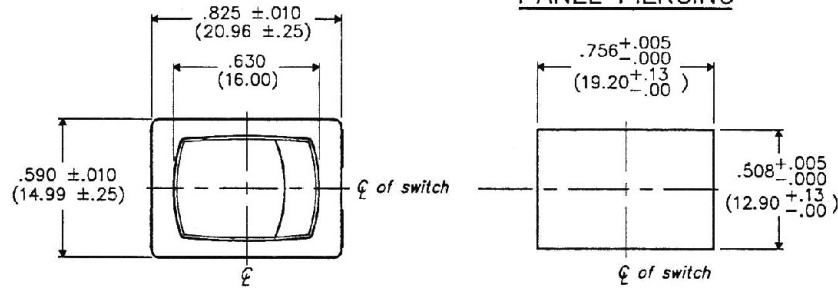


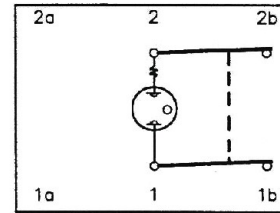
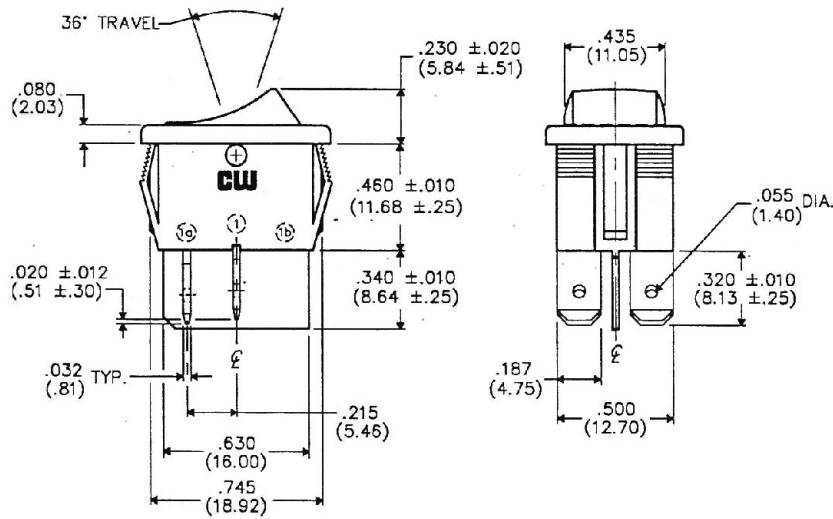
DIMENSIONS IN INCHES (MILLIMETERS)  
DO NOT SCALE DRAWING .....

Dwg. No.  
**GRL-4021-0000**

**PANEL PIERCING**



**BOTTOM VIEW**



WIRING DIAGRAM SHOWING  
INTERNAL LAMP CONNECTIONS.

FORM-B

**REVISIONS**

0	RELEASED
10-17-94	DGW
10-20-94	AW
10-21-94	AW

**ATTENTION**  
THIS DRAWING AND ITS ATTACHMENTS, IF ANY, ARE PROPRIETARY TO CW INDUSTRIES AND DESCRIBE DESIGNS THAT ARE CONFIDENTIAL AND MUST NOT BE DISCLOSED UNLESS AUTHORIZED, IN WRITING, BY AN OFFICER OF CW INDUSTRIES.....



**CW INDUSTRIES**  
Southampton, Pa. 18966

**TOLERANCES UNLESS OTHERWISE SPECIFIED**  
2 Place decimal ±.010 METRIC  
3 Place decimal ±.005 1 Place dec. ±.25mm  
Angles ..... ± 1° 2 Place dec. ±.13mm

Id. No.: SAPO022A  
Made for: CW IND.  
Drawn by: DGW 10-17-94  
Checked by: G. GULD 10-20-94  
Approved: A. HOSFIELD 10-20-94

Title:  
**LIGHTED  
ROCKER SWITCH  
ASSEMBLY  
(POP IN) D.P./S.T.**

Division:  
**SWITCH**  
Dwg. No.  
**GRL-4021-0000**