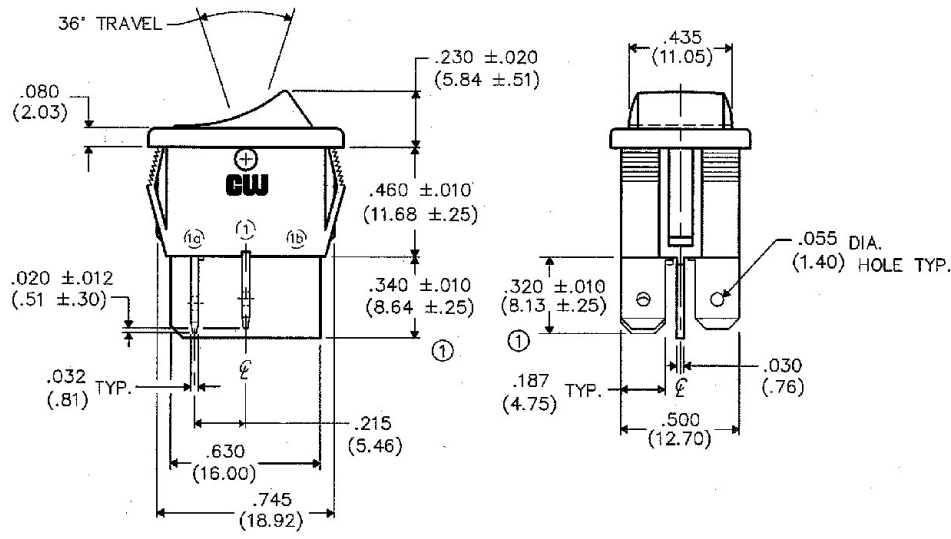
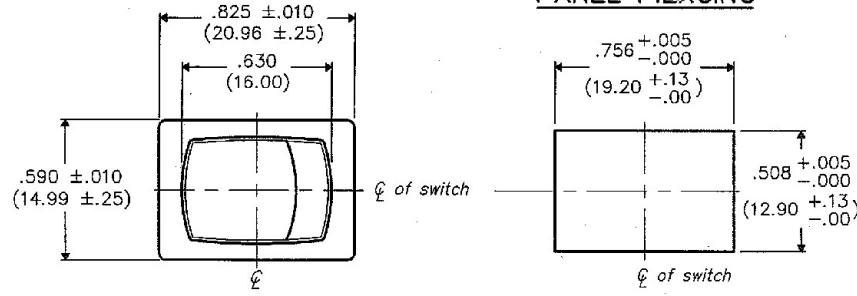


DIMENSIONS IN INCHES (MILLIMETERS)  
DO NOT SCALE DRAWING .....

Dwg. No.

GRL-4011-1600

**PANEL PIERCING**



**RATINGS:**

UL CSA

16A AC 125-250 VAC 10A 14 VT

3/4 HP 125-250 VAC 3A 125 VL

HOUSING COLOR: BLACK

BUTTON COLOR: RED

F  
 D  
 C  
 B  
 A

THIS INFORMATION IS CONFIDENTIAL AND PROPRIETARY TO CW INDUSTRIES INCORPORATED AND ITS AFFILIATES. IT MAY NOT BE DISCLOSED TO ANYONE OTHER THAN CW INDUSTRIES PERSONNEL, WITHOUT WRITTEN AUTHORIZATION FROM CW INDUSTRIES INCORPORATED, SOUTHAMPTON, PENNSYLVANIA, USA.

1 2 3 4 5 6 7 8 9 10

**REVISIONS**

0	RELEASED. SPR 2-11-91 RBK 2-13-91
1	UPDATED & REDRAWN. CORRECTED POSITION OF .320±.010 & RELOCATED .340±.010. DGW 6-12-95 JUN. 20, 1996
2	REDRAWN WITH NEW FORMAT. ADDED RATINGS, BUTTON & HOUSING COLORS. DGW 3-15-2010 G.G. MAR 15 2010

**ATTENTION**  
 THIS DRAWING AND ITS ATTACHMENTS, IF ANY, ARE PROPRIETARY TO CW INDUSTRIES AND DESCRIBE DESIGNS THAT ARE CONFIDENTIAL AND MUST NOT BE DISCLOSED UNLESS AUTHORIZED, IN WRITING, BY AN OFFICER OF CW INDUSTRIES.....



<b>CW INDUSTRIES</b> Southampton, Pa. 18966	
TOLERANCES UNLESS OTHERWISE SPECIFIED	
2 Place Decimal ±.010	METRIC
3 Place Decimal ±.005	1 Place Dec. ±.25mm
Angles ..... ±1°	2 Place Dec. ±.13mm
Made for: CW IND.	Division: SWITCH
Drawn by: DGW 3-15-2010	Dwg. No. GRL-4011-1600
Checked by: G. Gold 3-15-10	
Approval: G. Gold 3-15-10	

Title: <b>ASSEMBLY DRAWING ROCKER SWITCH S.P.- S.T.</b>
Dwg. No. <b>GRL-4011-1600</b>