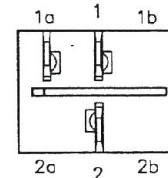
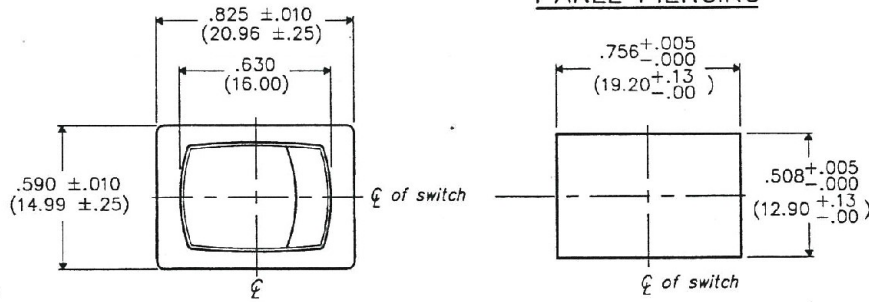


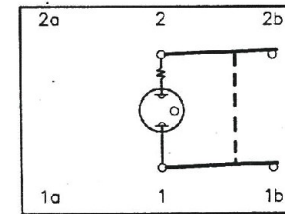
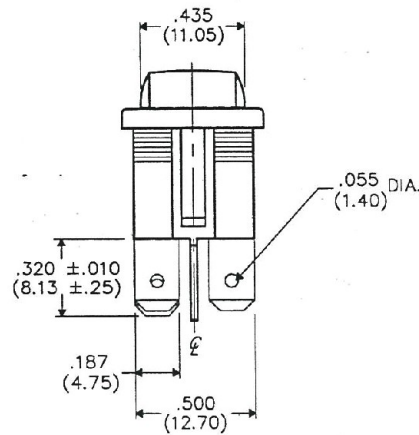
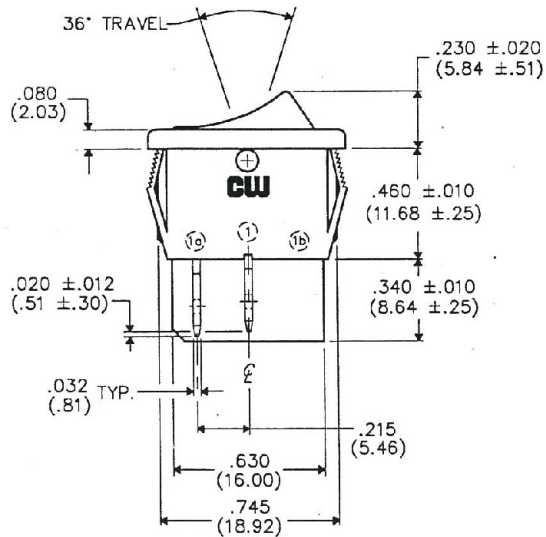
DIMENSIONS IN INCHES (MILLIMETERS)
DO NOT SCALE DRAWING

Dwg. No.
GRL-4011-0000

PANEL PIERCING



BOTTOM VIEW



WIRING DIAGRAM SHOWING
INTERNAL LAMP CONNECTIONS.



ATTENTION
 THIS DRAWING AND ITS ATTACHMENTS, IF ANY, ARE PROPRIETARY TO CW INDUSTRIES AND DESCRIBE DESIGNS THAT ARE CONFIDENTIAL AND MUST NOT BE DISCLOSED UNLESS AUTHORIZED, IN WRITING, BY AN OFFICER OF CW INDUSTRIES.....

CW INDUSTRIES
 Southampton, Pa. 18966

Title:
**LIGHTED
 ROCKER SWITCH
 ASSEMBLY
 (POP IN) S.P./S.T.**

TOLERANCES UNLESS OTHERWISE SPECIFIED
 2 Place decimal ±.010 METRIC
 3 Place decimal ±.005 1 Place dec. ±.25mm
 Angles ± 1° 2 Place dec. ±.13mm

Id. No.: SAPO020A
 Made for: CW IND.
 Drawn by: DGW 10-17-94
 Checked by: G. GULD 10-20-94
 Approved: A. ROSFELD 10-20-94

Division: SWITCH
 Dwg. No. GRL-4011-0000

FORM-B
 REVISIONS
 0
 RELEASED
 DGW 10-17-94
 BY 10-20-94 OCT 21 1994