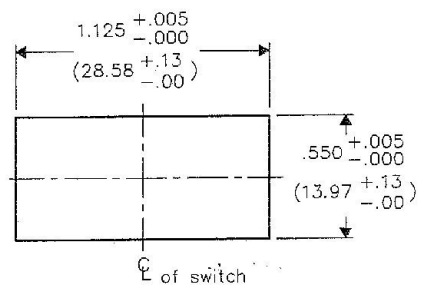
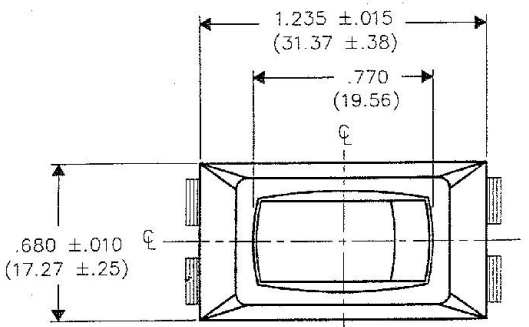


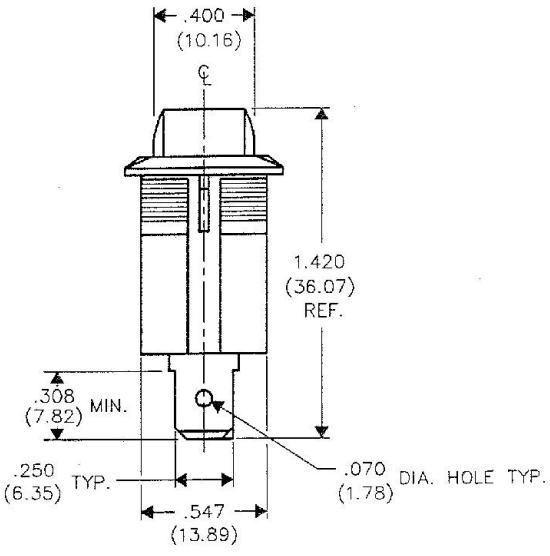
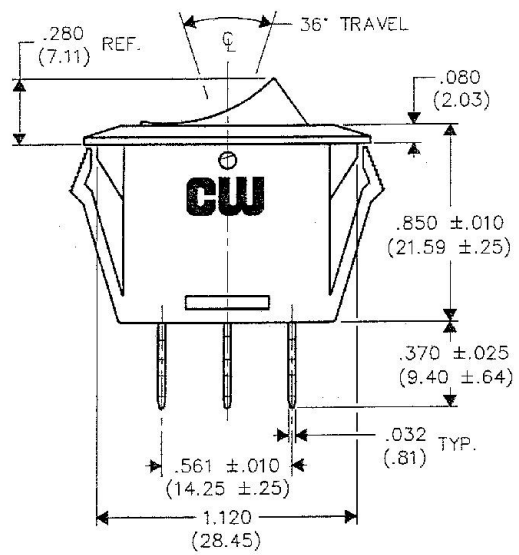
DIMENSIONS IN INCHES (MILLIMETERS)
DO NOT SCALE DRAWING

Dwg. No.
GRL-2011-1602

PANEL PIERCING



SWITCH RATING- 16A UL/CSA/VDE
BUTTON COLOR- Amber Transparent



ATTENTION
THIS DRAWING AND ITS ATTACHMENTS, IF ANY, ARE PROPRIETARY TO CW INDUSTRIES AND DESCRIBE DESIGNS THAT ARE CONFIDENTIAL AND MUST NOT BE DISCLOSED UNLESS AUTHORIZED, IN WRITING, BY AN OFFICER OF CW INDUSTRIES.....



CW INDUSTRIES
Southampton, Pa. 18966

TOLERANCES UNLESS OTHERWISE SPECIFIED

2 Place Decimal ±.010	METRIC
3 Place Decimal ±.005	1 Place Dec. ±.25mm
Angles ±1°	2 Place Dec. ±.13mm

Made for: CW IND.

Drawn by: DGW 6-21-2006

Checked by: *B. Gold 6-22-06*

Approval: *[Signature]*

Title: **ROCKER SWITCH ASSEMBLY (SNAP IN) S.P.-S.T. LAMP STYLE**

Division: **SWITCH**

Dwg. No. **GRL-2011-1602**

FORM-B3

REVISIONS

0	RELEASED DCW 6-21-2006 JUN 22 2006
---	--