

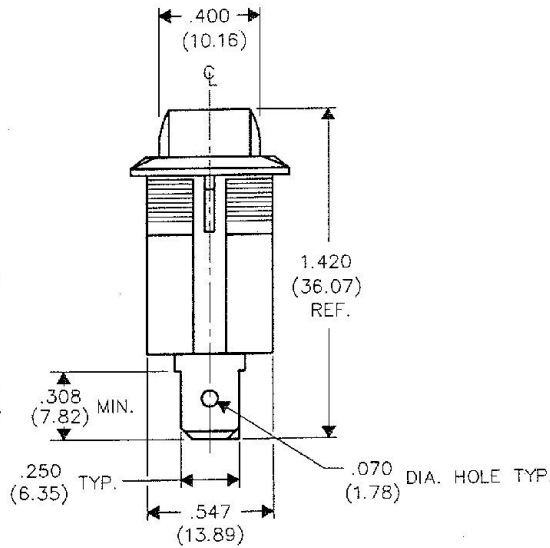
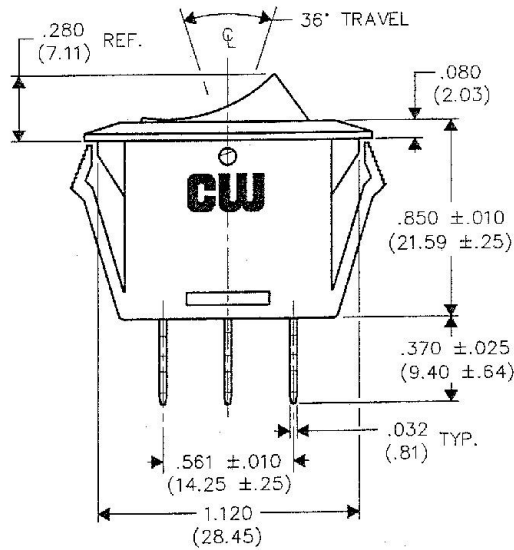
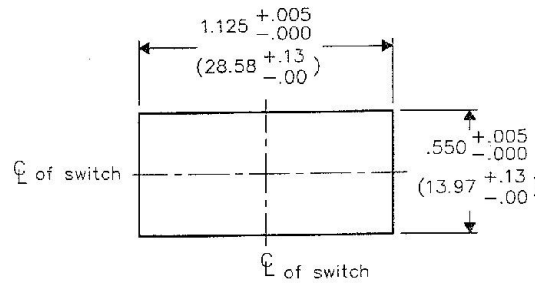
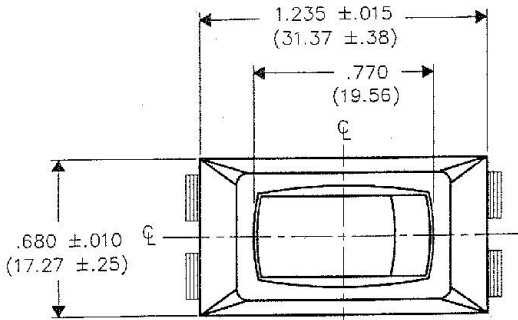
DIMENSIONS IN INCHES (MILLIMETERS)
DO NOT SCALE DRAWING

Dwg. No.
GRL-2011-1601

PANEL PIERCING

SWITCH RATING- 16A UL/CSA/VDE
BUTTON COLOR- White Translucent

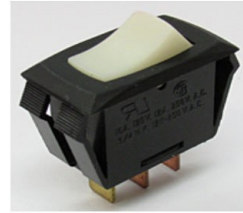
E
D
C
B
A



1 2 3 4 5 6 7 8 9 10

FORM-B3
REVISIONS
RELEASED
DGW 6-21-2006
JUN 2 2006

ATTENTION
THIS DRAWING AND ITS ATTACHMENTS, IF ANY, ARE PROPRIETARY TO CW INDUSTRIES AND DESCRIBE DESIGNS THAT ARE CONFIDENTIAL AND MUST NOT BE DISCLOSED UNLESS AUTHORIZED, IN WRITING, BY AN OFFICER OF CW INDUSTRIES.....



PDF File Made
ID. No.

CW INDUSTRIES
Southampton, Pa. 18966

TOLERANCES UNLESS OTHERWISE SPECIFIED	
2 Place Decimal ±.010	METRIC
3 Place Decimal ±.005	1 Place Dec. ±.25mm
Angles ±1°	2 Place Dec. ±.13mm

Made for: CW IND.
Drawn by: DGW 6-21-2006
Checked by: G. Guld 6-22-06
Approved: [Signature]

Title: **ROCKER SWITCH ASSEMBLY (SNAP IN) S.P.-S.T. LAMP STYLE**

Division: **SWITCH**

Dwg. No. **GRL-2011-1601**