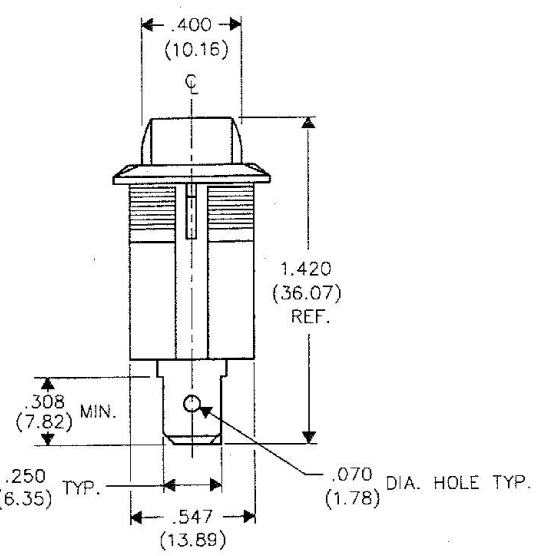
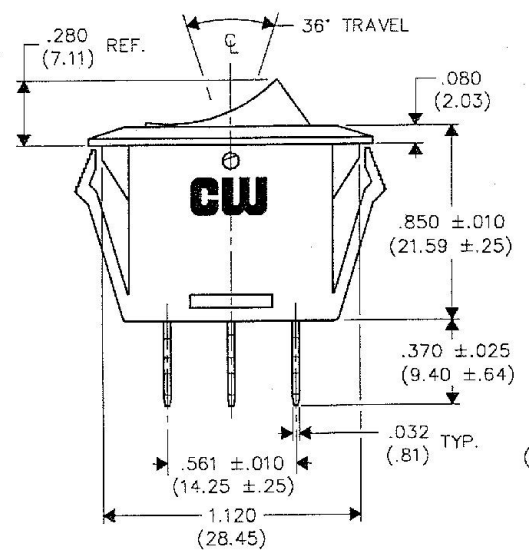
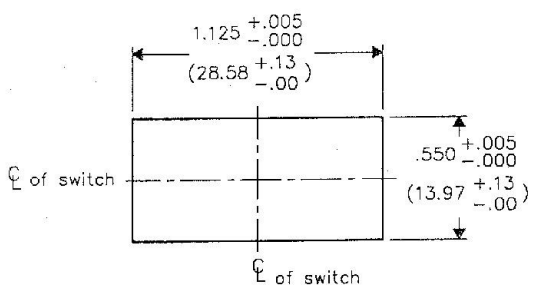
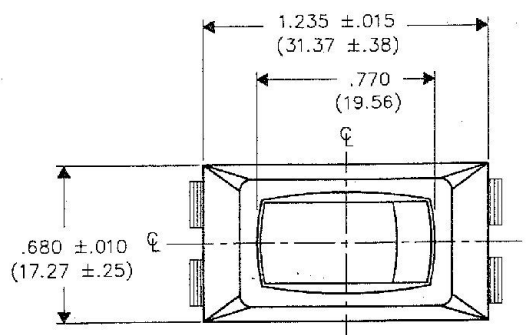


DIMENSIONS IN INCHES (MILLIMETERS)
DO NOT SCALE DRAWING

Dwg. No.
GRL-2011-1600

SWITCH RATING- 16A UL/CSA/VDE
BUTTON COLOR- Red Transparent

PANEL PIERCING



ATTENTION
THIS DRAWING AND ITS ATTACHMENTS, IF ANY, ARE PROPRIETARY TO CW INDUSTRIES AND DESCRIBE DESIGNS THAT ARE CONFIDENTIAL AND MUST NOT BE DISCLOSED UNLESS AUTHORIZED, IN WRITING, BY AN OFFICER OF CW INDUSTRIES.....



E
D
C
B
A

1 2 3 4 5 6 7 8 9 10

FORM-B3	REVISIONS	0	1
	RELEASED	DGW	JAN 17 1997
	ADDED SWITCH RATING & BUTTON COLOR	DGW	JUN 2 2006
		GG	

CW INDUSTRIES Southampton, Pa. 18966	
TOLERANCES UNLESS OTHERWISE SPECIFIED	
2 Place Decimal ±.010	METRIC
3 Place Decimal ±.005	1 Place Dec. ±.25mm
Angles ±1'	2 Place Dec. ±.13mm
Made for:	CW IND.
Drawn by:	DGW 1-09-97
Checked by:	G. Guld 1-15-97
Approved:	T. Plamann 1-15-97

Title:	ROCKER SWITCH ASSEMBLY (SNAP IN) S.P.-S.T. LAMP STYLE
Division:	SWITCH
Dwg. No.	GRL-2011-1600