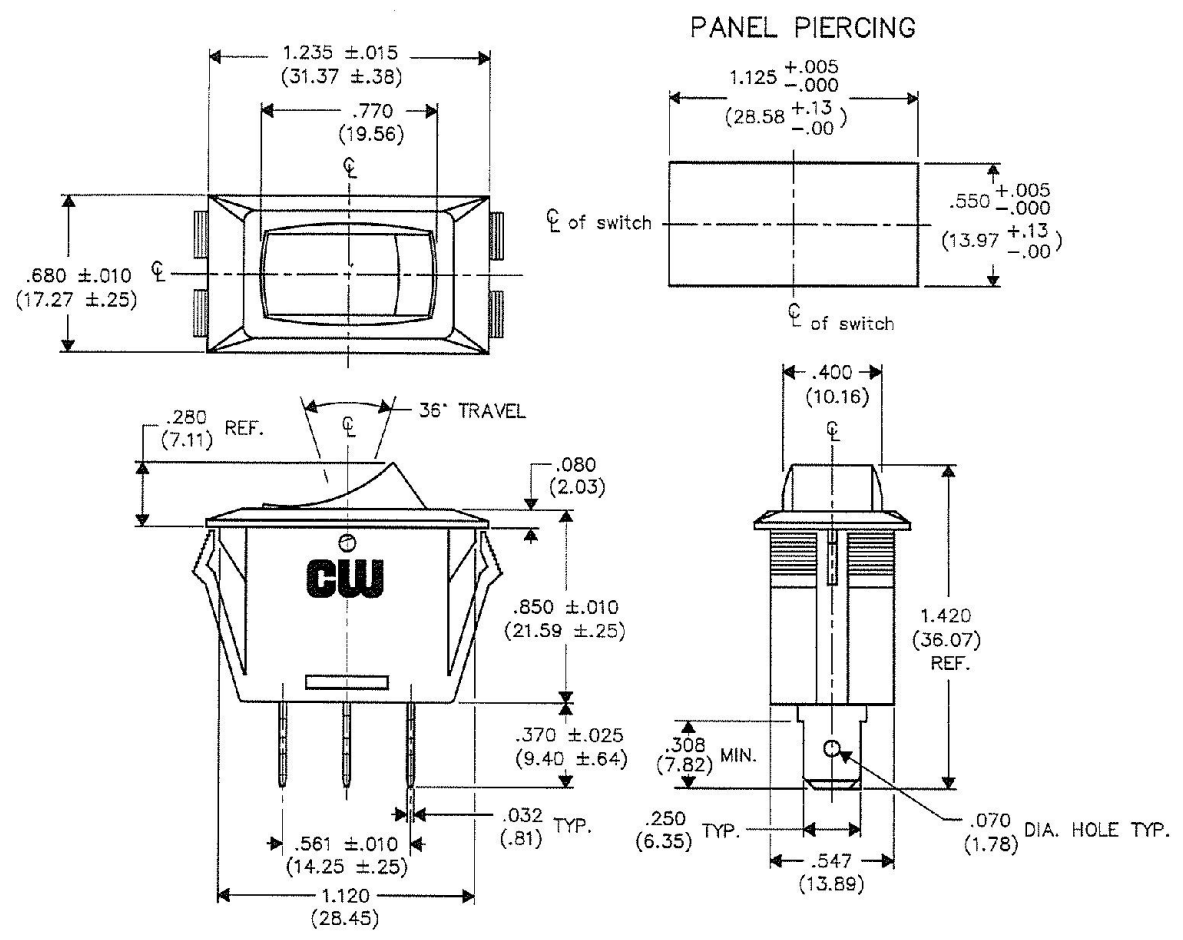


E
 D
 C
 B
 A

THIS INFORMATION IS CONFIDENTIAL AND PROPRIETARY TO CW INDUSTRIES INCORPORATED AND ITS AFFILIATES. IT MAY NOT BE DISCLOSED TO ANYONE OTHER THAN CW INDUSTRIES PERSONNEL, WITHOUT WRITTEN AUTHORIZATION FROM CW INDUSTRIES INCORPORATED, SOUTHAMPTON, PENNSYLVANIA USA

DIMENSIONS IN INCHES (MILLIMETERS)
 DO NOT SCALE DRAWING

Dwg. No.
GRL-2011-0051



BUTTON COLOR— Blue Transparent
 HOUSING COLOR— Black

SWITCH RATING:
 16A AC 125V 12A 250 VAC
 10A @ 14V (T)
 3/4 H.P. 125-250VAC
 Lamp, Incandescent 28V
 UL/CSA

1 2 3 4 5 6 7 8 9 10

FORM-83
REVISIONS
 NEW
 DGW 6/17/20
 2 2 2020
 20/4/20



PDF File Made
 ID. No.

| | | | |
|---------------------------------------|--------|------------------------|--|
| CW INDUSTRIES | | Southampton, Pa. 18966 | |
| TOLERANCES UNLESS OTHERWISE SPECIFIED | | | |
| 2 Place Decimal ±.010 | METRIC | 1 Place Dec. ±.25mm | |
| 3 Place Decimal ±.005 | | 2 Place Dec. ±.13mm | |
| Angles ±1° | | | |
| Made for: CW IND. | | | |
| Drawn by: DGW | | 6/17/20 | |
| Checked by: B. GULD | | 6-17-20 | |
| Approval: C. H... | | 6/17/20 | |

Title: **ROCKER SWITCH ASSEMBLY (SNAP IN) S.P.-S.T. LAMP STYLE**
 Division: **SWITCH**
 Dwg. No. **GRL-2011-0051**