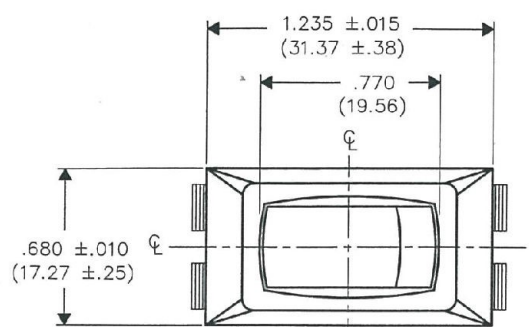


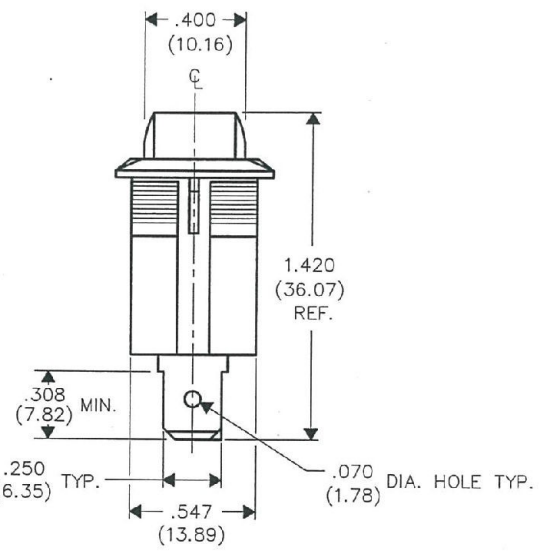
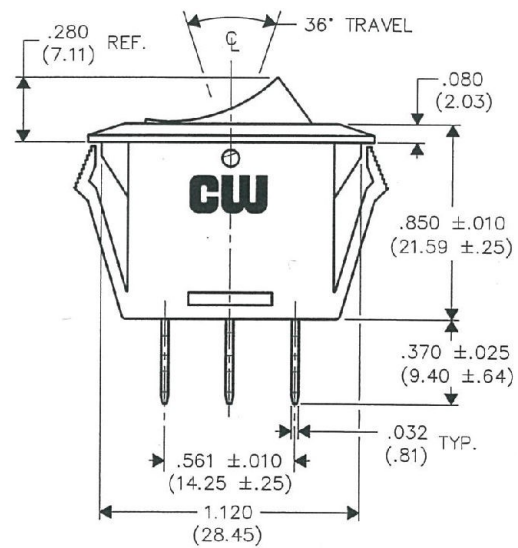
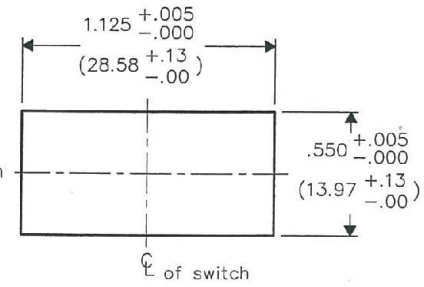
THIS INFORMATION IS CONFIDENTIAL AND PROPRIETARY TO CW INDUSTRIES INCORPORATED AND ITS AFFILIATES. IT MAY NOT BE DISCLOSED TO ANYONE, OTHER THAN CW INDUSTRIES PERSONNEL, WITHOUT WRITTEN AUTHORIZATION FROM CW INDUSTRIES INCORPORATED, SOUTHAMPTON, PENNSYLVANIA USA.

E
D
C
B
A

DIMENSIONS IN INCHES (MILLIMETERS)
DO NOT SCALE DRAWING
Dwg. No. **GRL-2011-0039**



PANEL PIERCING



BUTTON COLOR- Green Transparent
HOUSING COLOR- Black

SWITCH RATING:
16A AC 125V 12A 250 VAC
3/4 H.P. 125-250VAC
10A 14V(T) Lamp 28V
UL/CSA

1 2 3 4 5 6 7 8 9 10

FORM-B3
REVISIONS
NEW
D GW 8-12-15

ATTENTION
THIS DRAWING AND ITS ATTACHMENTS, IF ANY, ARE PROPRIETARY TO CW INDUSTRIES AND DESCRIBE DESIGNS THAT ARE CONFIDENTIAL AND MUST NOT BE DISCLOSED UNLESS AUTHORIZED, IN WRITING, BY AN OFFICER OF CW INDUSTRIES.....



PDF File Made	CW INDUSTRIES Southampton, Pa. 18966		Title: ROCKER SWITCH ASSEMBLY (SNAP IN) S.P.-S.T. LAMP STYLE	
	TOLERANCES UNLESS OTHERWISE SPECIFIED			
	2 Place Decimal ±.010	METRIC		
	3 Place Decimal ±.005	1 Place Dec. ±.25mm	2 Place Dec. ±.13mm	
Angles ±1°				
Made for: CW IND.		Division: SWITCH		
Drawn by: DGW 8-12-15		Dwg. No. GRL-2011-0039		
Checked by: <i>G. GULD 8-12-15</i>				
Approval: <i>G. GULD 8-12-15</i>				

MASTER