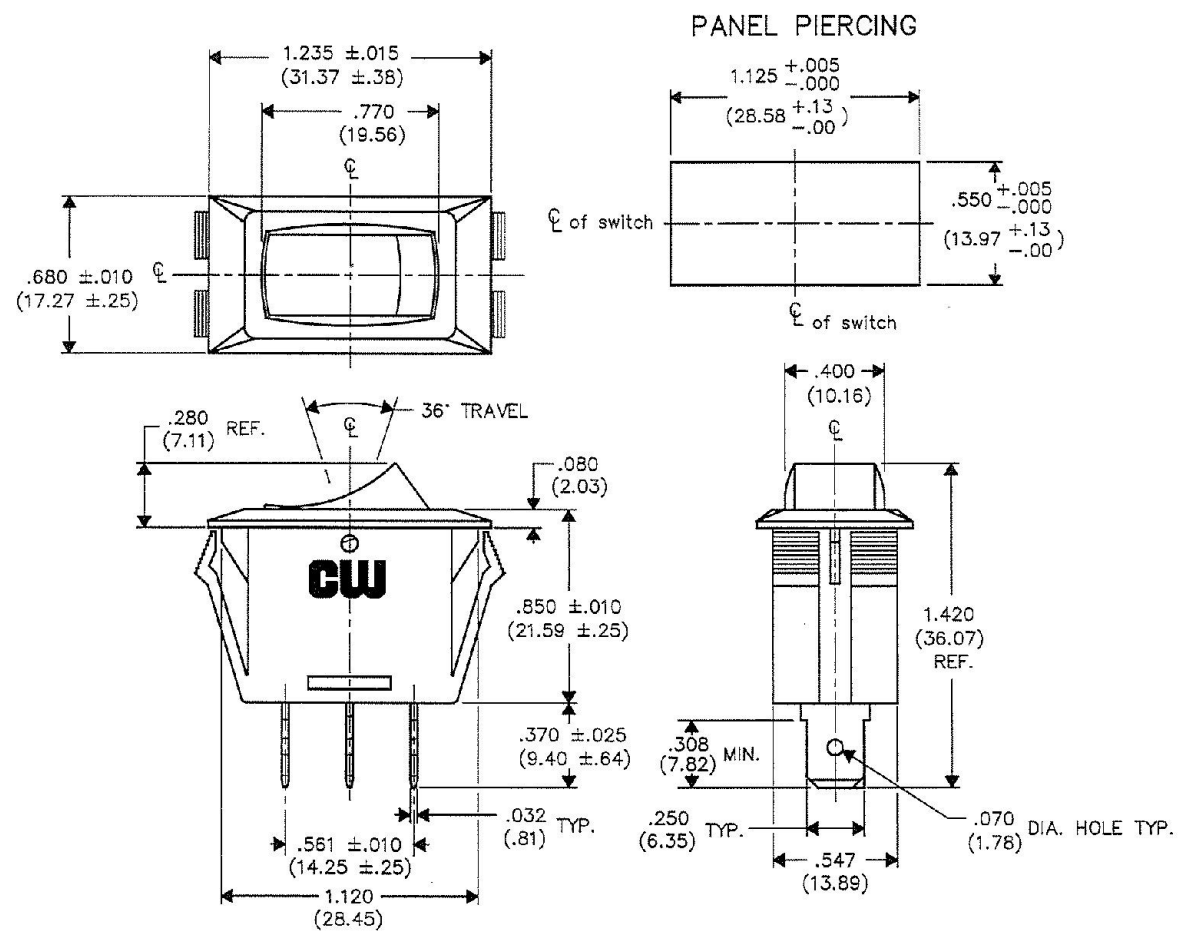


E
 D
 C
 B
 A

THIS INFORMATION IS CONFIDENTIAL AND PROPRIETARY TO CW INDUSTRIES INCORPORATED AND ITS AFFILIATES. IT MAY NOT BE DISCLOSED TO ANYONE, OTHER THAN CW INDUSTRIES PERSONNEL, WITHOUT WRITTEN AUTHORIZATION FROM CW INDUSTRIES INCORPORATED, SOUTHAMPTON, PENNSYLVANIA USA.

DIMENSIONS IN INCHES (MILLIMETERS)
 DO NOT SCALE DRAWING

Dwg. No.
GRL-2011-0000



BUTTON COLOR- Red Transparent
 HOUSING COLOR- Black

SWITCH RATING:
 16A AC 125V 12A 250 VAC
 3/4 H.P. 125-250VAC
 10A 14V (T)
 12A (6)A @ 250~ T -55°
 UL/CSA/VDE

FORM-B3	REVISIONS	NEW DWG 6/17/20 2 2000 CG 6/22/20					CW INDUSTRIES Southampton, Pa. 18966 TOLERANCES UNLESS OTHERWISE SPECIFIED 2 Place Decimal ±.010 METRIC 3 Place Decimal ±.005 1 Place Dec. ±.25mm Angles ±1' 2 Place Dec. ±.13mm	Title: ROCKER SWITCH ASSEMBLY (SNAP IN) S.P.-S.T. LAMP STYLE Division: SWITCH Dwg. No. GRL-2011-0000	
			Made for: CW IND. Drawn by: DGW 6/17/20 Checked by: G. GULD 6-17-20 Approval: <i>[Signature]</i> 6/22/20						

PDF File Made

ID. No.