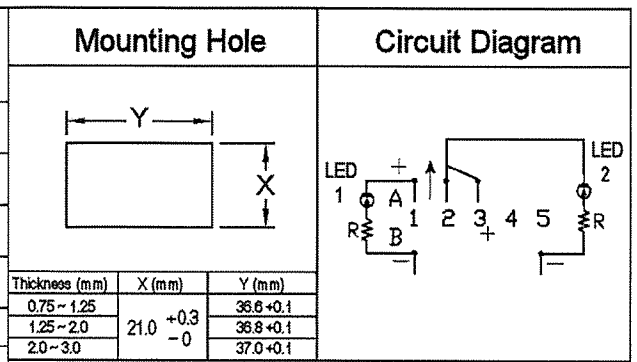


THIS INFORMATION IS CONFIDENTIAL AND PROPRIETARY TO CW INDUSTRIES INCORPORATED AND ITS AFFILIATES. IT MAY NOT BE DISCLOSED TO ANYONE, OTHER THAN CW INDUSTRIES PERSONNEL, WITHOUT WRITTEN AUTHORIZATION FROM CW INDUSTRIES INCORPORATED, SOUTHAMPTON, PENNSYLVANIA USA.

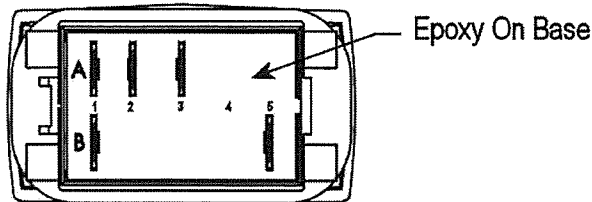
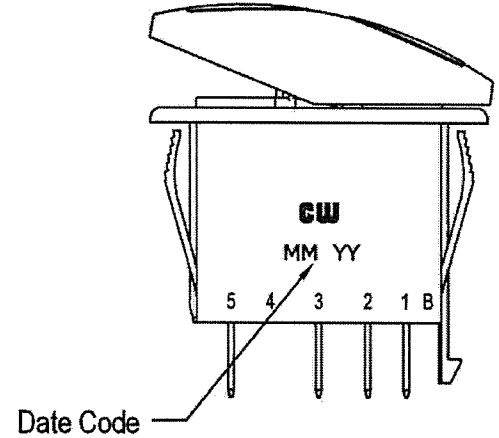
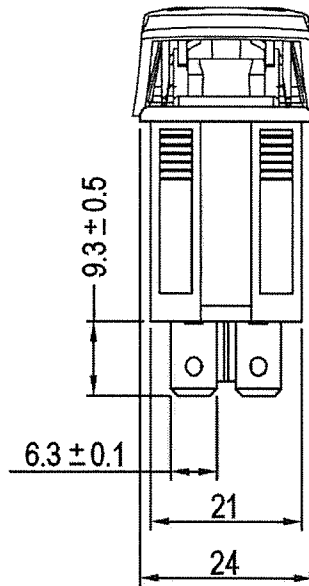
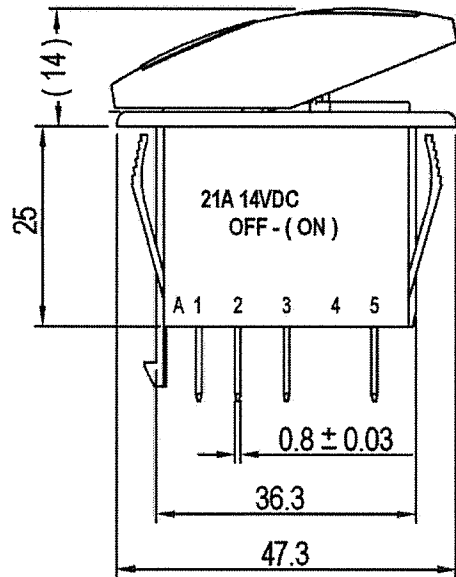
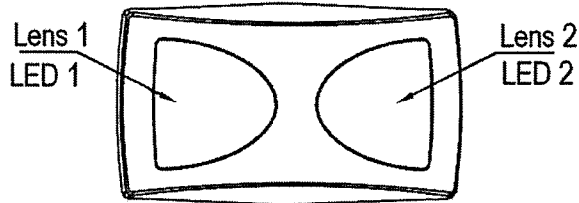
Rating	21A 14VDC
Contact Resistance	50m ohm Max.
Insulation Resistance	DC 500V 100M ohm Min.
Dielectric Strength	AC 1500V 1 minute
Operation Temperature	- 25 o C ~ + 85 o C
Switch Function	5P SPST OFF - ( ON )
Lamp Type	12VDC 14V LED 1 Independent w / resistor LED 2 Dependent



( ) = Momentary Function

**MATERIAL:**

- Frame: Nylon 66 (94V-2), Black
- Actuator: Nylon 66 +33%GF, Black
- Lens 1: PC, Amber, Transparent
- Lens 2: PC, Green, Transparent
- LED 1: Amber, Diffused
- LED 2: Green, Diffused
- Terminal: Silver plated copper  
(Except Lamp Terminal)
- Printing: None
- Water proof: IP 67



Order Chart									
Terminal Style			Lens Color 1		Lens Color 2		LED Voltage		
Series	Function		Actuator Color		Frame Color				
GRB292	N	3	01	B	B	A	G	1	
Actuator Style									

Tolerance: +/-0.3mm Unless otherwise specified.

R13-292N3-01-BBAG-12AG0400-1

4 Updated drawing. DW 5/10/18

**CW INDUSTRIES**  
Southampton, Pa. 18966  
Tel 215.355.7080/www.cwind.com

Date Drawn: 5/20/10

Rev. 4

Unit: mm

Checked By: *G. GULD*

Title: **ROCKER SWITCH**

CW P/N: **GRB292N301BBAG1**