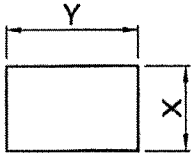
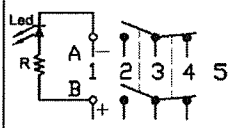
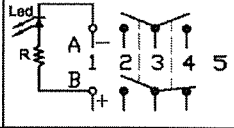
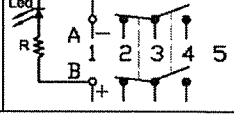
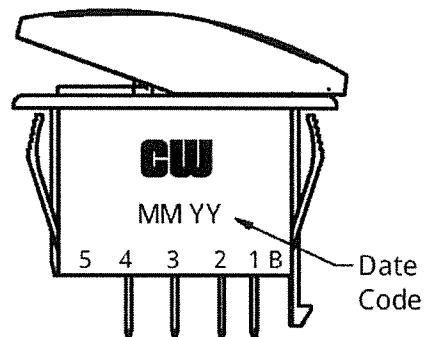
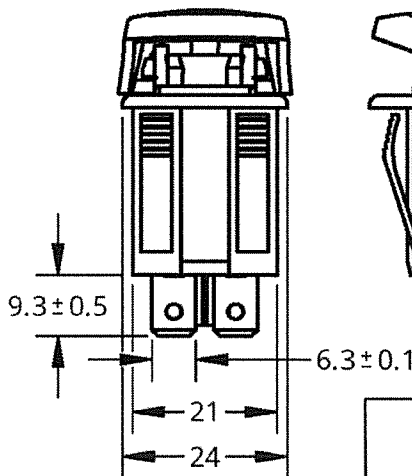
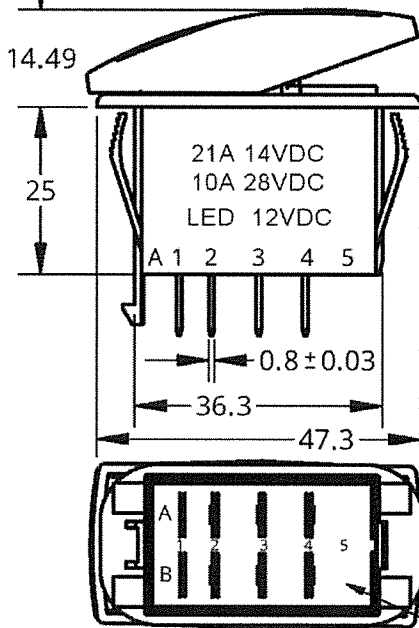
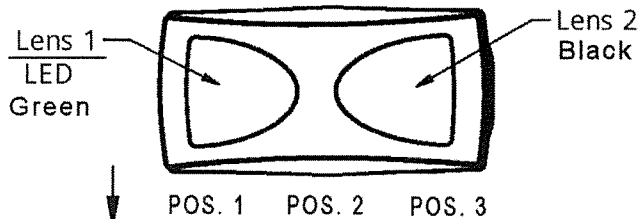


THIS INFORMATION IS CONFIDENTIAL AND PROPRIETARY TO CW INDUSTRIES INCORPORATED AND ITS AFFILIATES. IT MAY NOT BE DISCLOSED TO ANYONE, OTHER THAN CW INDUSTRIES PERSONNEL, WITHOUT WRITTEN AUTHORIZATION FROM CW INDUSTRIES INCORPORATED, SOUTHAMPTON, PENNSYLVANIA USA.

Rating	21A 14VDC 10A 28VDC	Mounting Hole 	Circuit Diagram
	LED 12VDC		
Contact Resistance	50m ohm Max	Thickness(mm) X(mm) Y(mm) 0.75~1.25 21.2±0.1 36.6±0.1 1.25~2 36.8±0.1 2~3 37 ±0.1	POS.1 
Insulation Resistance	DC 500V 100M ohm Min		POS.2 
Dielectric Strength	AC 1500V 1 minute	Switch Function	POS.3 
Operation Temperature	-25°C~85°C		
Lamp	Green LED 12V DC w/Resistor (Independent)		

SWITCH FUNCTION			
	POS. 1	POS. 2	POS. 3
SIDE (A)	3-4 ON	OFF	3-2 ON
SIDE (B)	3-4 ON	3-4 ON	3-2 ON

(Switch is shown in position 1)



Order Chart									
Series	Terminal	Lens/Lamp Color 1		Lamp/Lens Color 2		Lamp Voltage		Lamp Type	
GRB292	L 2 01	B	B	G	B	L	1		
		Function	Actuator Style	Frame Color	Actuator Color				

**Material:**

- Frame: Nylon 6/6 (94-2), Black
- Actuator: Nylon 6/6 +33%GF, Black
- Lens 1: PC, Green clear, LED Green
- Lens 2: PC, Black
- Terminals: A2, A3, A4, B2, B3 & B4, Silver Plated Copper
- LED Terminals: A1 & B1 Brass
- Printing: None
- Water & Dust Proof: IP 67
- Using Contact Bracket G-10-065 on Side B.

R13-292L2-BBGN-N1GN1100E-2 (R13-292-17)

**CW INDUSTRIES**  
Southampton, Pa. 18966  
Tel 215.355.7080/www.cwind.com

Date Drawn: DW 9/01/20

Rev. 0

Unit: mm

Checked By: *G. GULD*

Title:  
**ROCKER SWITCH**

CW P/N:  
**GRB292L201BBGBL1**