

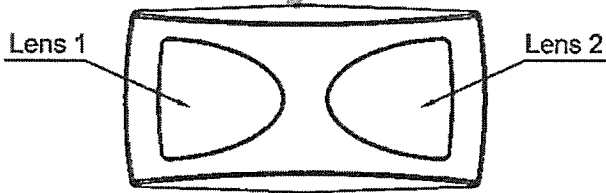
THIS INFORMATION IS CONFIDENTIAL AND PROPRIETARY TO CW INDUSTRIES INCORPORATED AND ITS AFFILIATES. IT MAY NOT BE DISCLOSED TO ANYONE, OTHER THAN CW INDUSTRIES PERSONNEL, WITHOUT WRITTEN AUTHORIZATION FROM CW INDUSTRIES INCORPORATED, SOUTHAMPTON, PENNSYLVANIA USA.

Rating	10A 28VDC		Mounting Hole		Circuit Diagram
Contact Resistance	50m ohm Max.				
Insulation Resistance	DC 500V 100M ohm Min.				
Dielectric Strength	AC 1500V 1 minute		Thickness(mm)	X(mm)	Y(mm)
Operation Temperature	-25 ° ~ +85 °		0.75 ~ 1.25	21.0 ^{+0.3} ₋₀	36.6±0.1
Switch Function	6P DPDT (ON)-OFF-(ON)		1.25 ~ 2.0		36.8±0.1
			2.0 ~ 3.0		37.0±0.1

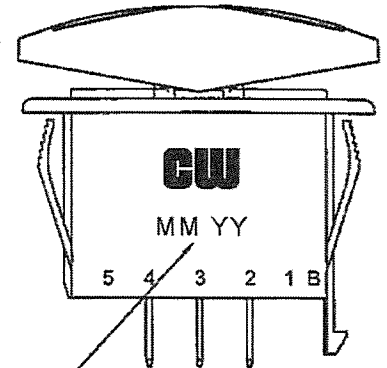
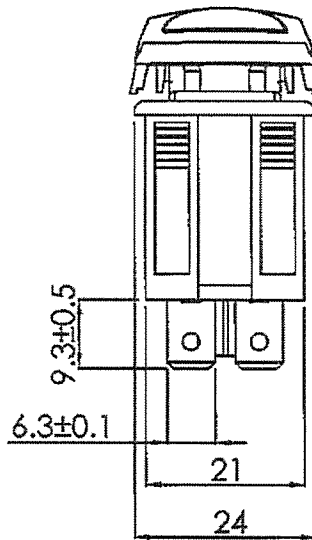
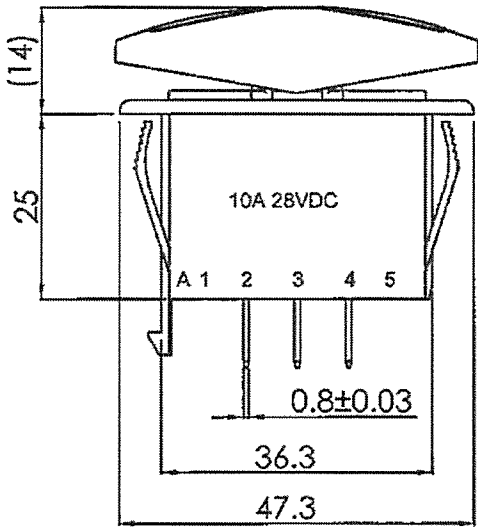
() = Momentary

MATERIAL:

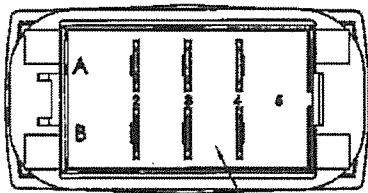
- Frame: Nylon - 66 (94-2), Black
- Actuator: Nylon - 66+33%GF, Black
- Lens 1: PC, Black
- Lens 2: PC, Black
- Terminals A2,A3,A4,B2, B3, B4: Silver Plated Copper.
- Water & Dust Proof: IP 67



(ON) OFF (ON)



DATE CODE



EPOXY ON BASE

Order Chart									
Terminal Style			Lens Color 1						
Series					Lens Color 2				
GRB292	K	1	01	B	B	B	B	B	B
Function			Actuator Color						
Actuator Style		Frame Color							

Tolerances +/- 0.3 Unless otherwise specified.

R13-292K1-01-BBBBE-2

CW INDUSTRIES
Southampton, Pa. 18966
Tel 215.355.7080/www.cwind.com

Date Drawn: 3/25/19

Rev. 0

Unit: mm

Checked By: *G. GULD*

Title:
ROCKER SWITCH

CW P/N:
GRB292K101BBBB