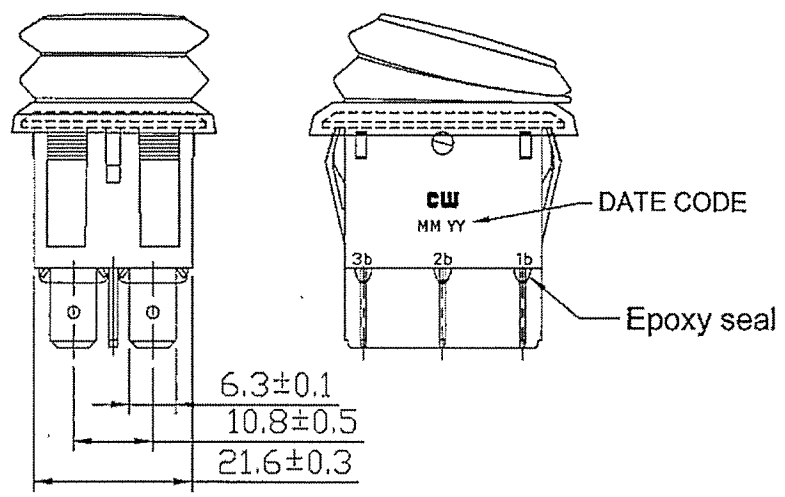
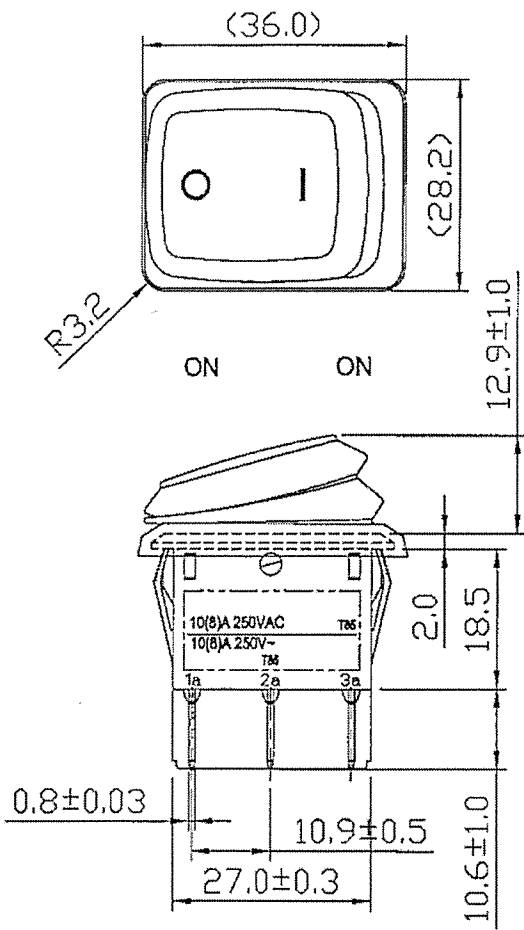


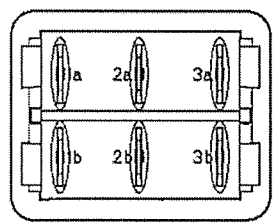
THIS INFORMATION IS CONFIDENTIAL AND PROPRIETARY TO CW INDUSTRIES INCORPORATED AND ITS AFFILIATES. IT MAY NOT BE DISCLOSED TO ANYONE, OTHER THAN CW INDUSTRIES PERSONNEL, WITHOUT WRITTEN AUTHORIZATION FROM CW INDUSTRIES INCORPORATED, SOUTHAMPTON, PENNSYLVANIA USA.

Rating	10(8) 250V AC
Contact Resistance	50m ohm Max.
Insulation Resistance	DC 500V 100M ohm Min.
Dielectric Strength	AC 1500V 1 minute
Operation Temperature	-25 °C ~ 85 °C
Switch Function	6P DPDT ON - ON

Mounting Hole		Circuit Diagram
Thickness	X	Y
0.75...1.25	30.2-0.1	22.2+0.1
1.25...2	30.4-0.1	22.2+0.1
2...3	30.8-0.1	22.2+0.1



***MATERIAL:**
 Frame: Black, Nylon 66 (94V-2)
 Actuator: Red, PC
 Terminals: Silver plated, Copper alloy
 Waterproof Rubber: Silicone
***Waterproof: IP65**
 Printed: White, hot stamping



Tolerance: ±0.3mm unless otherwise specified

RoHS Compliant

1 | Changed CW P/N from GRB285C8101BRES to GRB285C8101BR73. 1/20/15.

CW INDUSTRIES
 Southampton, Pa. 18966
 Tel 215.355.7080/www.cwind.com

Date Drawn: 3-30-12 Rev. 1 Unit: mm Checked By: *G. GOLD*

Title: **ROCKER SWITCH** CW P/N: **GRB285C8101BR73**