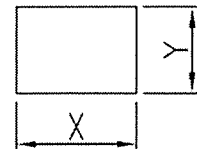
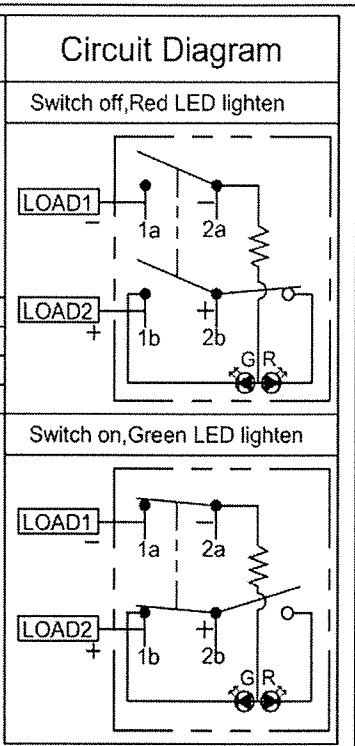


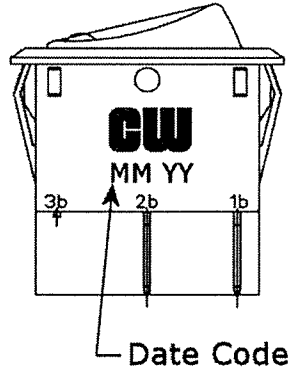
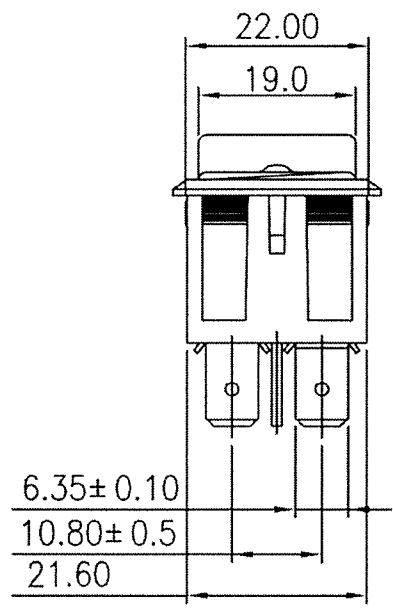
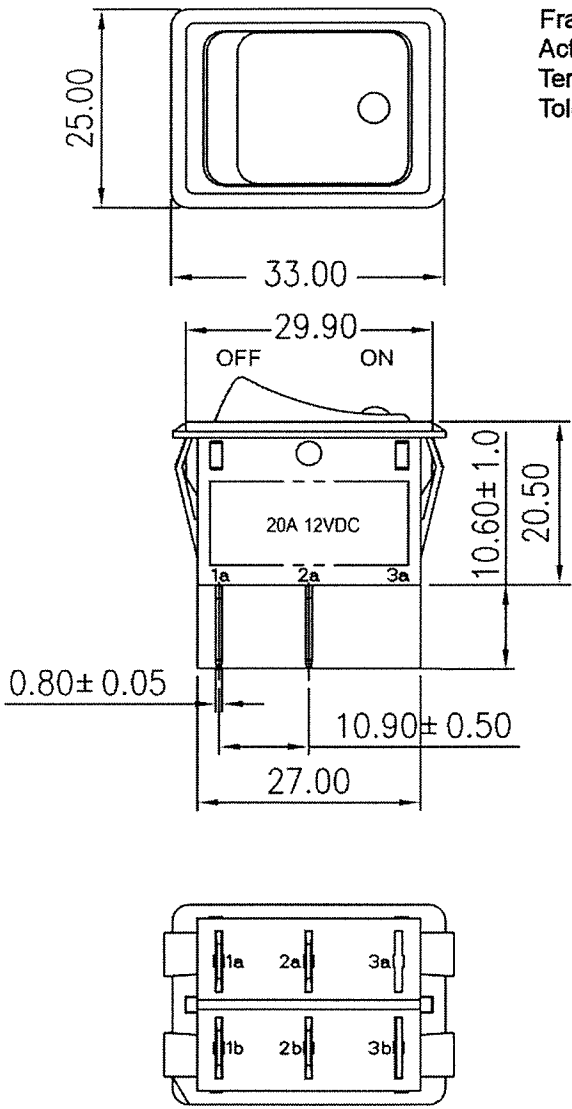
THIS INFORMATION IS CONFIDENTIAL AND PROPRIETARY TO CW INDUSTRIES INCORPORATED AND ITS AFFILIATES. IT MAY NOT BE DISCLOSED TO ANYONE, OTHER THAN CW INDUSTRIES PERSONNEL, WITHOUT WRITTEN AUTHORIZATION FROM CW INDUSTRIES INCORPORATED, SOUTHAMPTON, PENNSYLVANIA USA.

<b>Rating</b>	<b>20A 12V DC</b>	
Contact Resistance	50m ohm Max.	
Insulation Resistance	DC 500V 100M ohm Min.	
Dielectric Strength	AC 1500V 1 minute	
Operation Temperature	-25 ° C ~ 85 ° C	
Switch Function	4P DPST ON - OFF Lamp Dependent	
Lamp Type	Led, 1 Red / 1 Green 12VDC 14V w/resistor	

<b>Mounting Hole</b>		
		
Thickness	X	Y
0.75...1.25	30.2-0.1	22.2+0.1
1.25...2	30.4-0.1	22.2+0.1
2...4	30.8-0.1	22.2+0.1



**Material:**  
 Frame: Black, Nylon 66 (94-V2)  
 Actuator: Black, Nylon 66 (94-V2)  
 Terminals: Silver plated, Copper alloy  
 Tolerance: +/- 0.3mm unless otherwise specified



RoHS Compliant

**CW INDUSTRIES**  
 Southampton, Pa. 18966  
 Tel 215.355.7080/www.cwind.com

Date Drawn: 8-01-12	Rev. 0	Unit: mm	Checked By: <i>G. Guld</i>
Title: <b>ROCKER SWITCH</b>		CW P/N: <b>GRB285AL01BBGR1</b>	