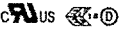
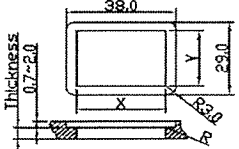
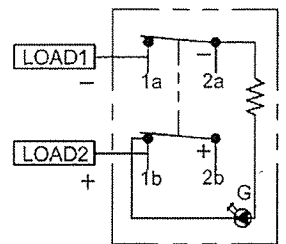
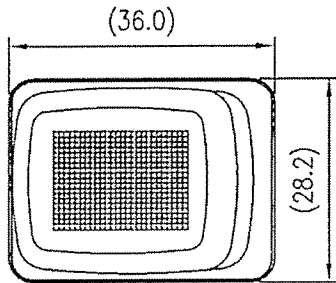
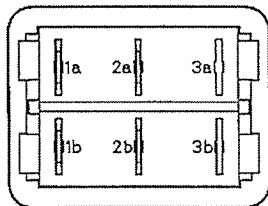
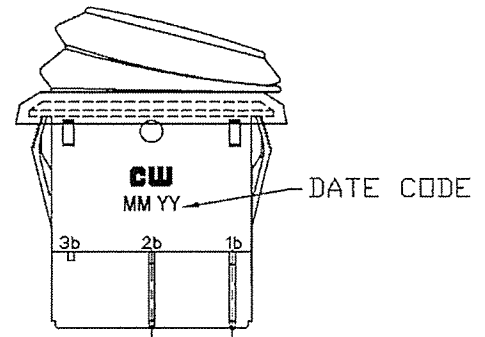
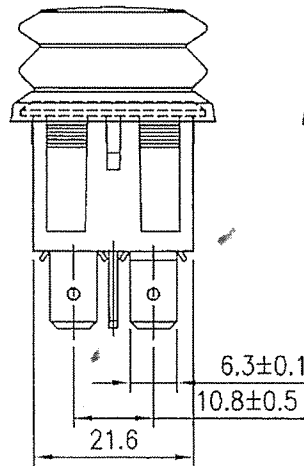
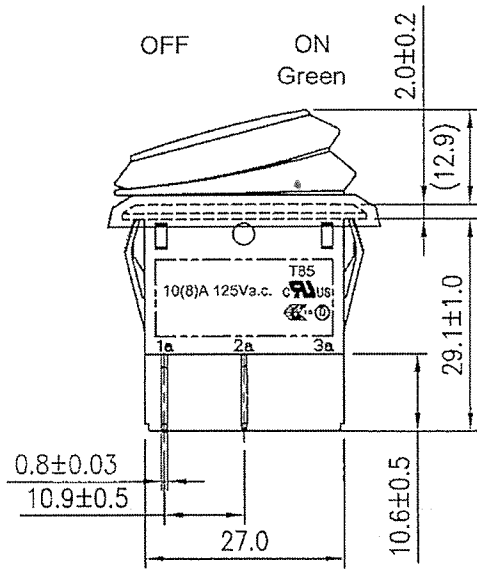


THIS INFORMATION IS CONFIDENTIAL AND PROPRIETARY TO CW INDUSTRIES INCORPORATED AND ITS AFFILIATES. IT MAY NOT BE DISCLOSED TO ANYONE, OTHER THAN CW INDUSTRIES PERSONNEL, WITHOUT WRITTEN AUTHORIZATION FROM CW INDUSTRIES INCORPORATED, SOUTHAMPTON, PENNSYLVANIA USA.

Rating	10(8)A 125Va.c. 	Mounting Hole	Circuit Diagram											
Contact Resistance	50m ohm Max. ¹⁾		Switch on, Green LED lighten 											
Insulation Resistance	DC 500V 100M ohm Min.													
Dielectric Strength	AC 1500V 1 minute													
Operation Temperature	-25°C~85°C.	<table border="1"> <tr> <th>Thickness</th> <th>X</th> <th>Y</th> </tr> <tr> <td>0.75...1.25</td> <td>30.2-0.1</td> <td>22.2+0.1</td> </tr> <tr> <td>1.25...2</td> <td>30.4-0.1</td> <td>22.2+0.1</td> </tr> <tr> <td>2...4</td> <td>30.8-0.1</td> <td>22.2+0.1</td> </tr> </table>	Thickness	X	Y	0.75...1.25	30.2-0.1	22.2+0.1	1.25...2	30.4-0.1	22.2+0.1	2...4	30.8-0.1	22.2+0.1
Thickness	X	Y												
0.75...1.25	30.2-0.1	22.2+0.1												
1.25...2	30.4-0.1	22.2+0.1												
2...4	30.8-0.1	22.2+0.1												
Switch Function	4P DPST ON-OFF Lamp Dependent													
Lamp Type	LED 125VAC 110V w/resistor													



MATERIAL:
 Frame: Black, Nylon#66 (94-V2)
 Actuator: Green Clear, PC (94-V2)
 Terminals: Silver plated, Copper alloy
 Waterproof Rubber: Silicone
 LED Color: Green
 Printed: None
 Dust proof and Water proof to fit IP65



Tolerance ±0.3 unless otherwise specified

RoHS Compliant

R13-285A8L1-01-BGGN4

CW INDUSTRIES
 Southampton, Pa. 18966
 Tel 215.355.7080/www.cwind.com

Date Drawn: 3/22/17

Rev. 0

Unit: mm

Checked By: *G. GOLD*

Title: **ROCKER SWITCH**

CW P/N: **GRB285A8L11BGG4**